

Product Change Notification

Document No.

PCN-A-1070413

Revision

1.0

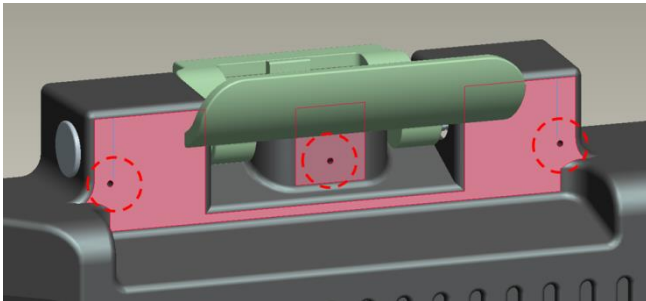
PCN TOPIC: FM Series Docking Design Change.

INTRODUCTION: This is the notification for customers that Winmate changes the design of FM Series VMC Docking, including FM08, FM10 and FM10A, to improve waterproofing.

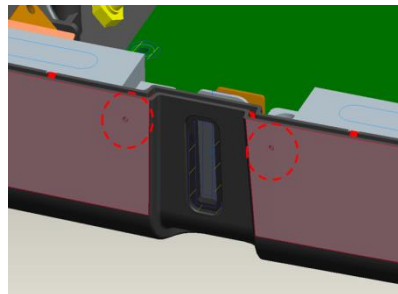
DETAILS:

Winmate modifies the design of FM Series VMC Docking to improve waterproofing. The new measures include adding three holes under the latch, adding two holes on the right and left sides of reading lamp, cancellation of drilling and tapping of several parts on the inner side of the docking rear cover. The change applies to all FM series devices, including FM08, FM10, FM10A and affects immediately.

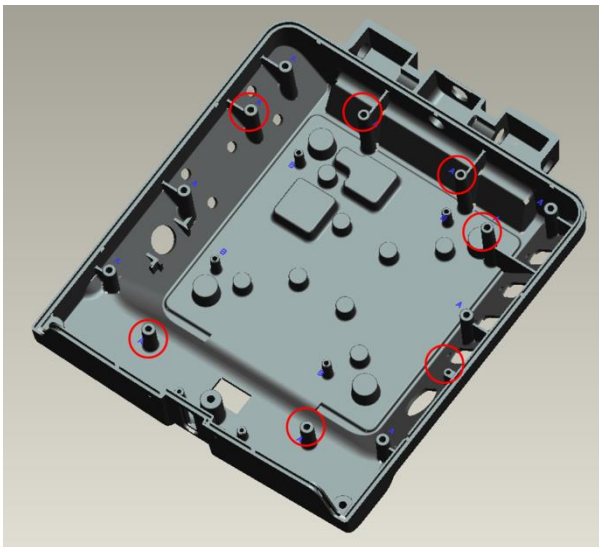
① Additional 3 holes under the latch



② Additional 2 holes on the right and left of reading lamp



③ Cancel drilling and tapping on the inner side of the docking rear cover



RELEASE DATE:

April 13th, 2018

Will be effective from April 13th, 2018

ISSUED BY: Andy Lee

APPROVE:  MD:

EE:

TE:

PE: