

# Product Change Notification

**Document No**                      **PCN-A-1051004**                      **Revision**                      **1.0**

**PCN Topic:** Change the screw type of the VMC Mounting Kit 3 - Keyboard Mounting

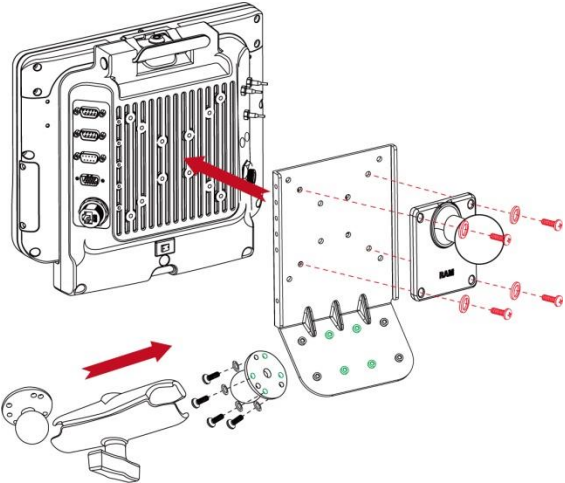
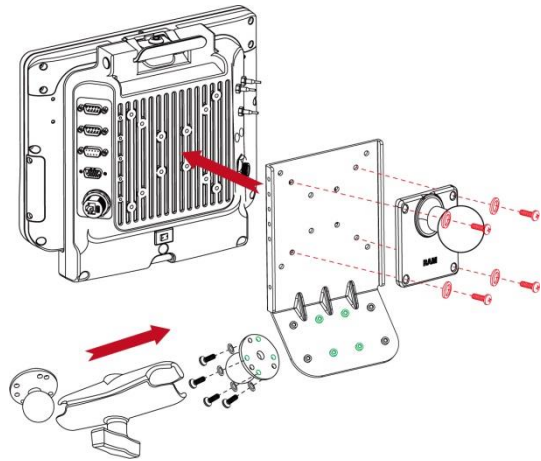
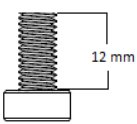
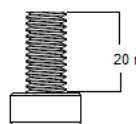
**INTRODUCTION:**

The screw length of the hex socket cap screw for the VMC Mounting Kit 3 “Keyboard Mounting” has been changed from 12mm to 20mm.

**DETAILS:**

To guarantee stable and secure mounting of the keyboard to the FM08/ FM10/ FM10A docking, Winmate changes the screw length of the hex socket cap screw for VMC Mounting Kit 3 “Keyboard Mounting” from 12mm to 20mm. Refer to a comparison table below for more details.

**Comparison Table:**

Original Screw for Mounting Kit 3 – “Keyboard Mounting Kit”			New Screw for Mounting Kit 3 “Keyboard Mounting Kit”		
					
	Hex Socket Cap Screw (M5x12mm)	Part No : 913511101149		Hex Socket Cap Screw (M5x20mm)	Part No : 91351110113A


**IMPACT PRODUCT LIST:** VMC Mounting Kit 3 “Keyboard Mounting Kit”

**RELEASE DATE:**

October 4, 2016

**Will be effective from October 4, 2016**

**ISSUED BY:** Andy Lee

**APPROVE:**  **MD:**      **EE:**      **TE:**      **PE:**