

Product Change Notification

Document No **PCN-A-1051003-01** **Revision** **1.0**

PCN Topic: Change the specifications of the power cable for the VMC FM08/ FM10/ FM10A.

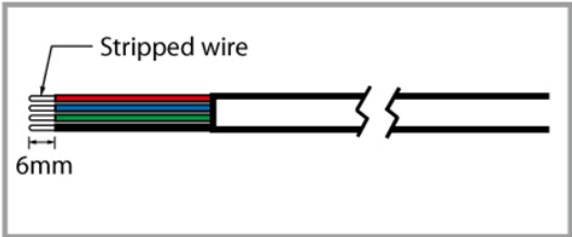
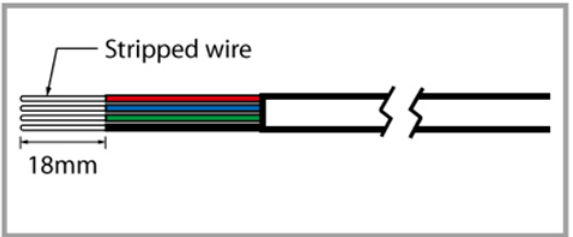
INTRODUCTION:

The length of the stripped wire on the power cable for the VMC FM08/ FM10/ FM10A has been changed from 6mm to 18mm.

DETAILS:

To improve the quality of our products, Winmate changes the length of the stripped wire on the power cable for FM08/FM10/FM10A from 6mm to 18mm. Refer to a comparison table below for more details.

Comparison Table:

Original Power Cable		New Power Cable	
			
Stripped Wire (Length : 6mm)	Part No : 94J008L040K0	Stripped Wire (Length : 18mm)	Part No : 94J008L040K0


IMPACT PRODUCTS: FM08/ FM10/FM10A Power cable (Part No. 94J008L040K0)

RELEASE DATE:

October 3, 2016

Will be effective from October 3, 2016

ISSUED BY: Andy Lee

APPROVE:  **MD:** **EE:** **TE:** **PE:**