

Product Change Notification

Document No **PCN-A-1050326** **Revision** **1.0**

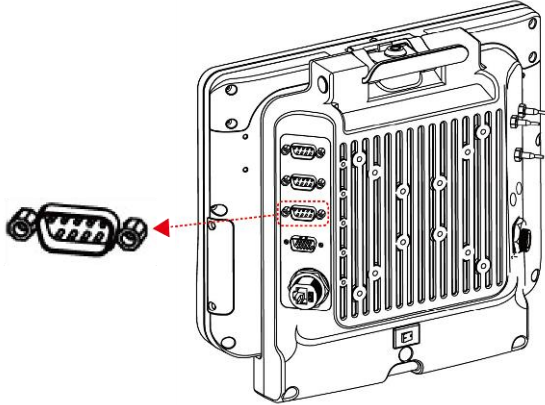
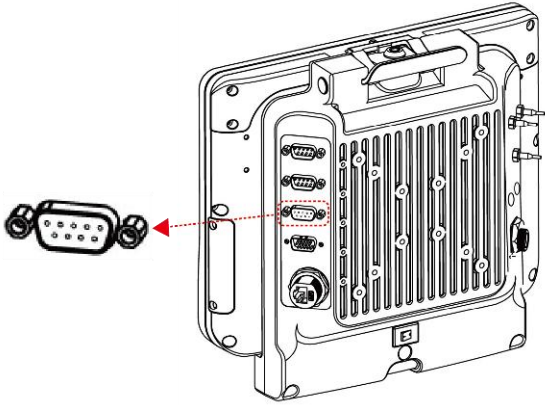
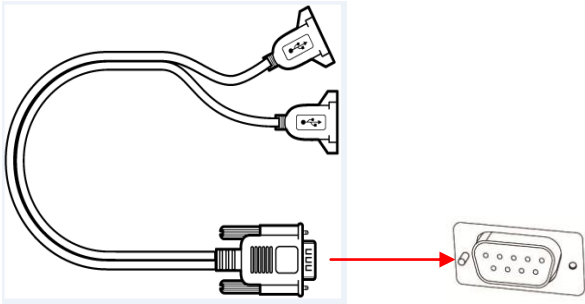
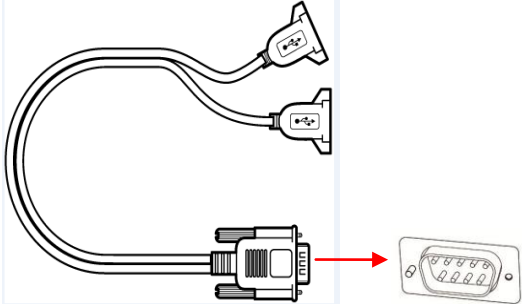
PCN Topic:

Vehicle dock for FM10 and FM08 has been changed for following items:





1. Change design of 9 pins D-Sub USB Male Connector type into 9 pins D-Sub USB Female Connector type.
2. Approve new WiFi, WWAN external antenna on Vehicle dock to ensure fixed installation.
3. Change power cable pins from 3 pins to 4 pins, with additional pin for the ground.

Introduction:

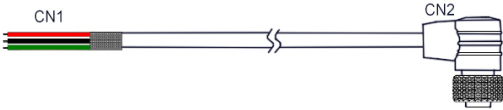
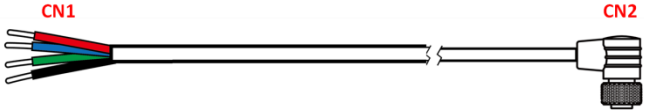
1. To achieve high compatibility of cable installation, the USB Port on the vehicle dock of FM10 and FM08 has been changed from 9 pins D-Sub Male Connector type into 9 pins D-Sub Female Connector type.

Original USB Port	New USB Port
	
9 pins D-Sub USB Male Connector	9 pins D-Sub USB Female Connector
	
0.3 m USB Cable(Female Connector)	0.3 m USB Cable(Male Connector)
9484098080K0	9483098080K0

2. To secure the external antenna better and avoid it from being loose, we have changed the External WWAN and WiFi Antenna for Vehicle Dock FM10 and FM08.

	Original Design	New Design
WiFi Antenna		
Part Number	39700010000J	39700000000E
WWAN Antenna		
Part Number	39700030002H	39700000000F

3. To improve the ground of device during installation, we add additional ground pin in our power cable as following:


Original Power Cable		New Power Cable	
			
98K000A0005V		98K000A0006O	
Color	Symbol	Color	Symbol
Red	VCC +	Red	VCC +
Black	VCC -	Black	VCC -
Green	Ignition	Green	Ground
		Blue	Ignition

Change Date:

03-25-2016

Will be effective from Mar-25-2016

Issued by: Bill Yeh

APPROVE:  MD: EE: TE: PE: