

## Product Change Notification

**Document No.** PCN-A-20210310      **Revision** 1.0

**PCN TOPIC:** M133 Series Change IO cover holder Design.

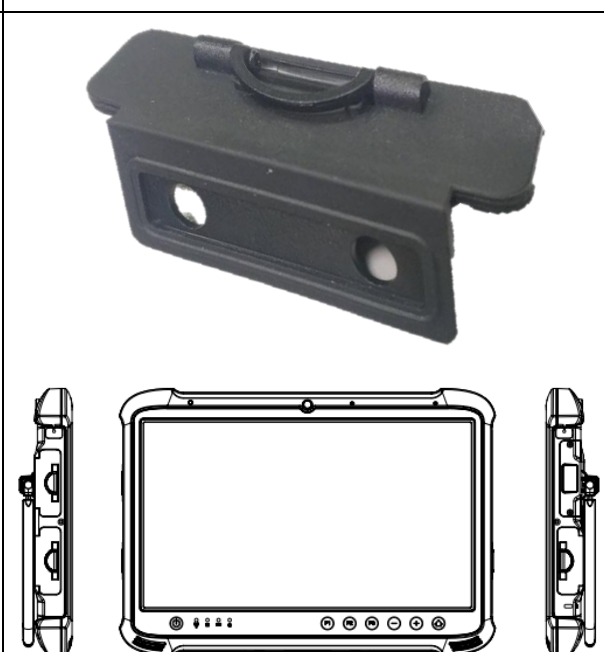
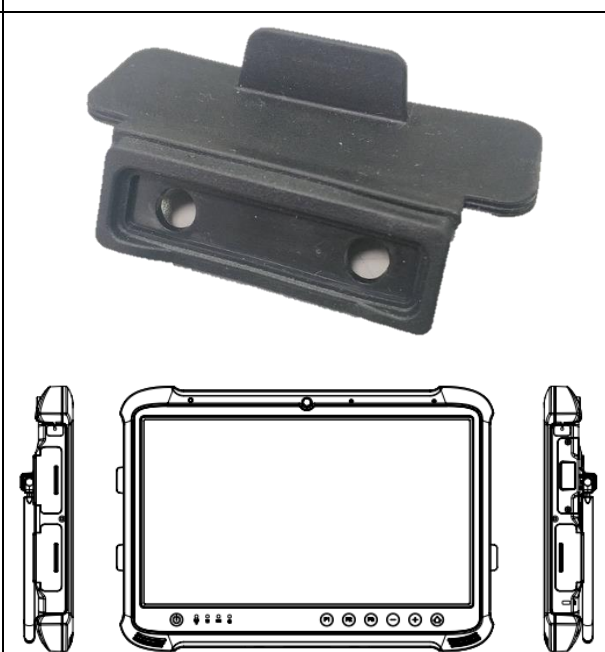
**PCN Type:** Product Spec changes

**Change Detail Descriptions:**

This is the notifications that M133 series change IO cover holder design. The material of holder is changed from metal to rubber.

**Change and Impact:**

**General Change:** I/O cover holder design change.

|          | <i>Original</i>  | <i>New</i>  |
|----------|--|---|
| Material | Metal  | Rubber  |
| Form     |  |  |

**Impacts:** Mechanical revision

**Impacted Product List:**

| Product line          | Model Name |
|-----------------------|------------|
| Windows Rugged Tablet | M133W      |
|                       | M133K      |

**Change Effective Date:** From Apr. 1<sup>st</sup>, 2021

**PCN Release Date:** Mar. 10<sup>th</sup> 2021

ISSUED BY: Mia Wu Mia 3/10 (Initial PM)

APPROVED BY: Karen Liu Karen 3/10/21 (PM Lead)

APPROVED BY: Phil Leu Phil 3/10 (PM Director)

APPROVED BY: Cathy Hsu Cathy Hsu (Sales VP)

If you have any further questions or clarification needed for this PCN, please feel free to contact Winmate Reseller or your contact windows of Winmate Sales Representatives. Or you can feedback to [Sales@winmate.com.tw](mailto:Sales@winmate.com.tw) email.