

Product Change Notification

Document No. PCN-A-1071025 **Revision** 1.0

PCN TOPIC: Winmate modifies the rib design of the M101 Series vehicle docking.

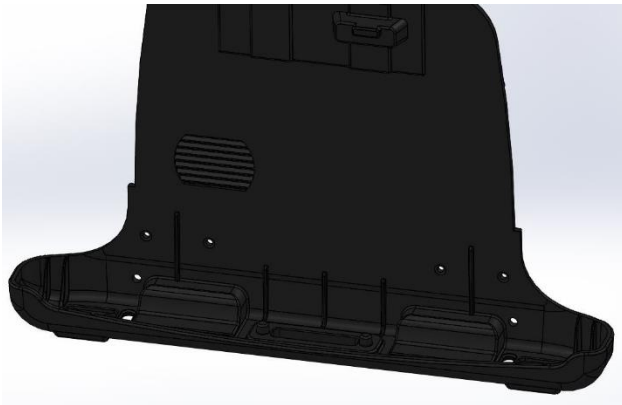
INTRODUCTION:

This is the notification for customers that Winmate has made changes to the rib design in the M101 series vehicle docking cradle to be compatible with M101H / M101S tablets that contain thicker bumpers.

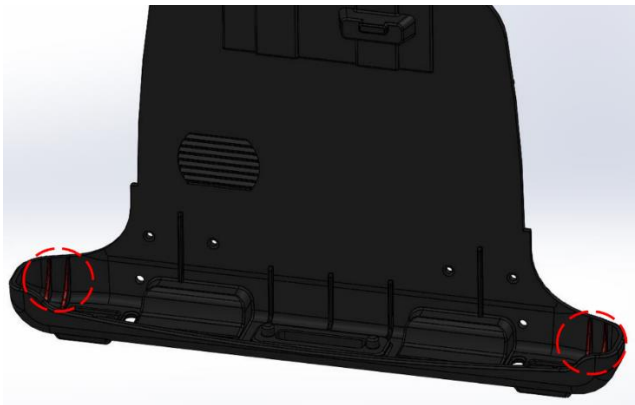
DETAILS:

To accommodate the thicker bumpers on the M101H and M101S Tablets, Winmate has reduced the height of the vehicle docking cradle ribs marked in RED as below. It has been verified that this change has passed the vibration tests and will not impact docking function. For more information, please contact your Winmate Sales Representative.

Existing Design:



New Design:




AFFECTED PRODUCT LIST:

	Model Names	
	Vehicle Docks	Compatible Tablets
M101 series Vehicle Docking	VD-M101B	> For M101B, M101BL, M101P
	VC-M101B	
	VD-M101BT	> For M101BT
	VD-M101M8	> For M101M8
	VC-M101M8	

RELEASE DATE: October 25, 2018

ISSUED BY: Mia Wu

**Will be effective from October 25, 2018*

APPROVE:  MD: EE: TE: PE: