

PCN – Product Change Notification

Document No PCN-A-1040526 **Revision** 1.0

PCN Topic: Mechanical Change of Winmate R15ID3S-65FTE-EX / R15L600-65FTE-EX

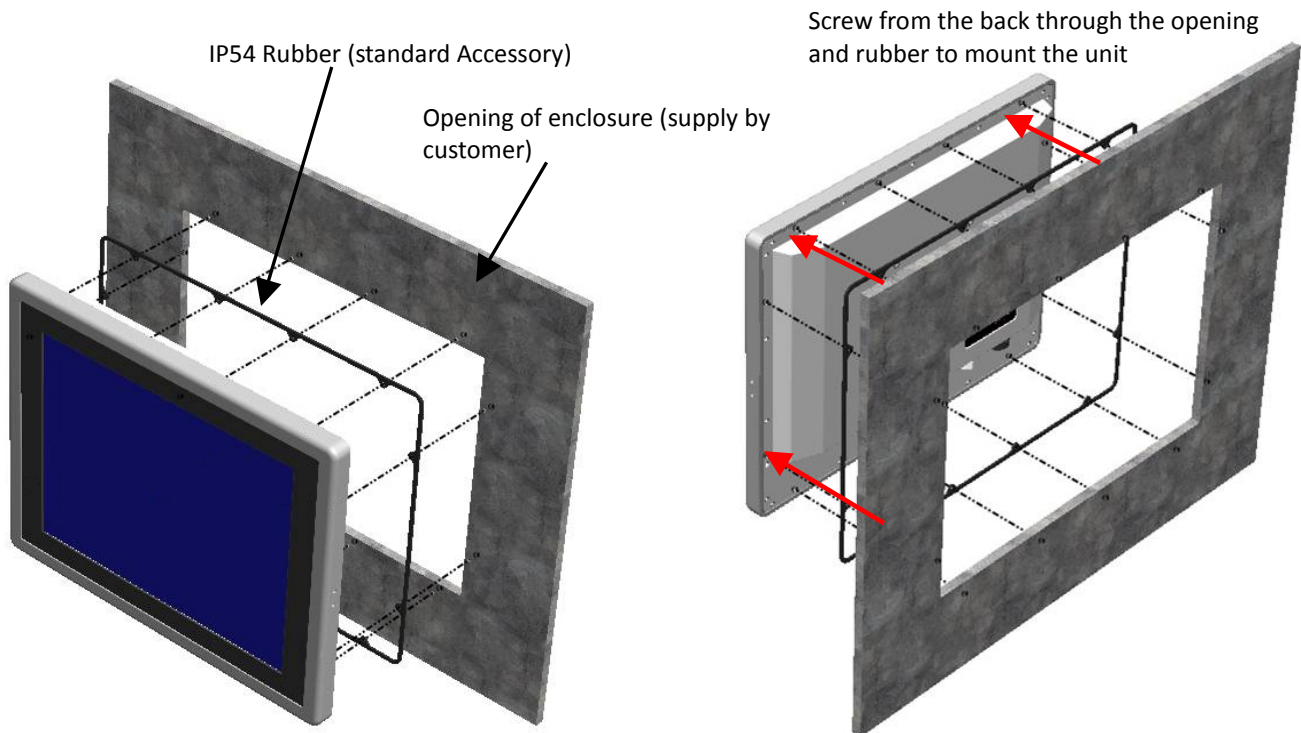
INTRODUCTION:

To maintain high quality and standard in our product line, we would like to inform our customer that we change the mounting screw holes of R15ID3S-65FTE-EX / R15L600-65FTE-EX for panel mount and remove the I/O cover plate with cable gland.

Details:

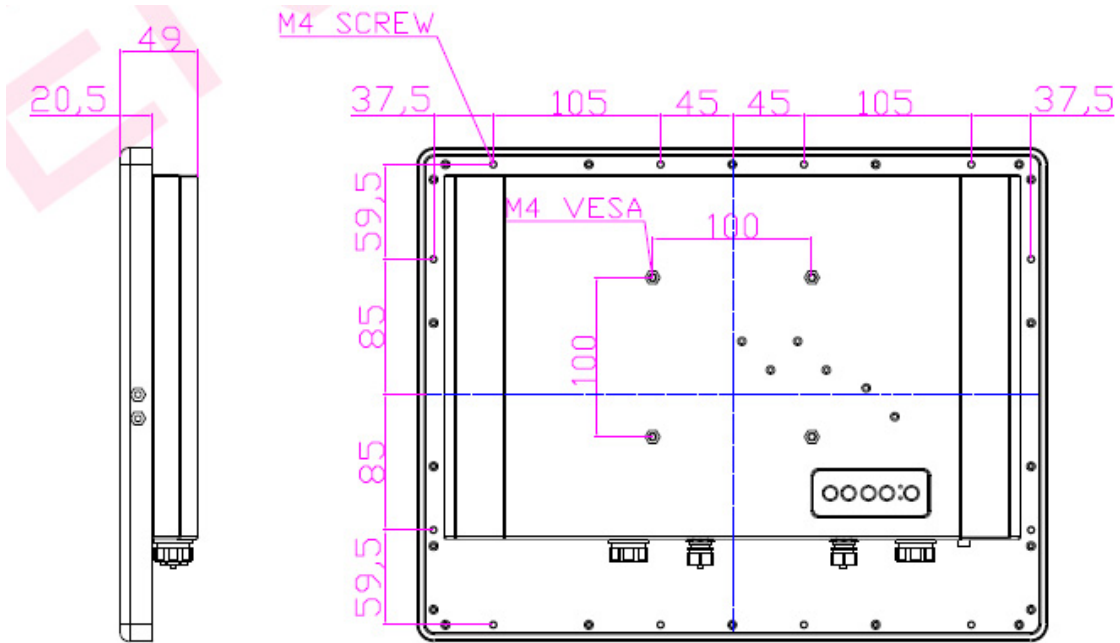
For improving the mounting experience, the mounting screw holes on the rear side of the R15ID3S-65FTE-EX / R15L600-65FTE-EX have been modified as following drawing to apply panel mount. Customer needs to follows the mounting concept drawing shown below to mount the unit to the opening of an enclosure to meet ATEX and C1D2 certification.

Mounting Concept

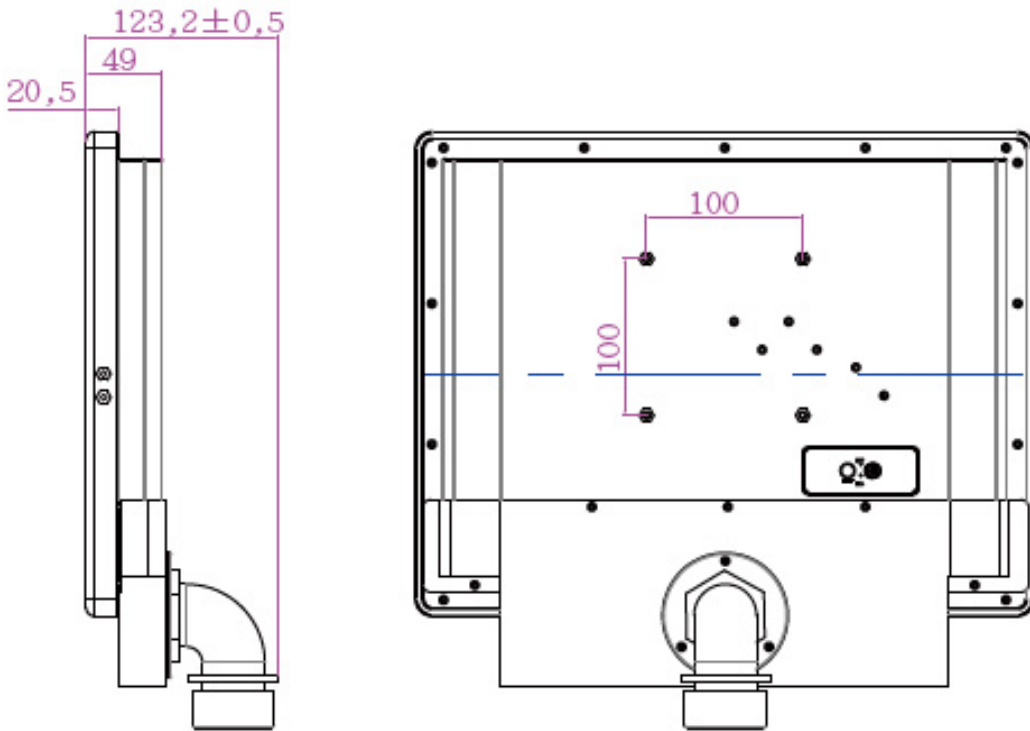


the following picture compares the mechanical drawing of the mounting screw holes among the new and old design

New Drawing: (with new mounting screw holes for panel mount)




Old Drawing: (with old mounting screw holes and I/O cover plate)



Will be effective from 2015 / 05 / 26

Issued by: Raven HSU

Winmate Communication INC.

APPROVE:  MD: EE: TE: PE: