

Product Change Notification

Document No.

PCN-A-1071002

Revision

1.0

PCN TOPIC:

The M21 Connector has reached its End-of-Life (EOL). Winmate will be changing the M21 connector to the M12 connector.



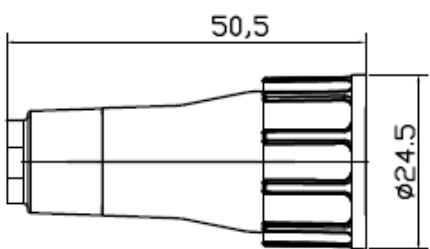
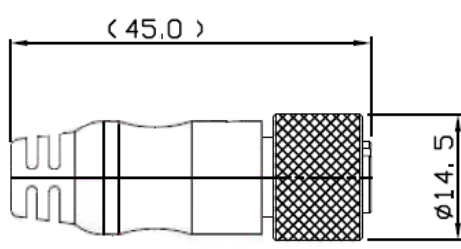
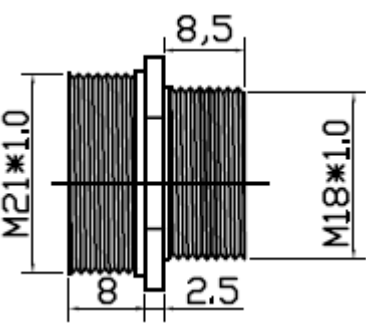
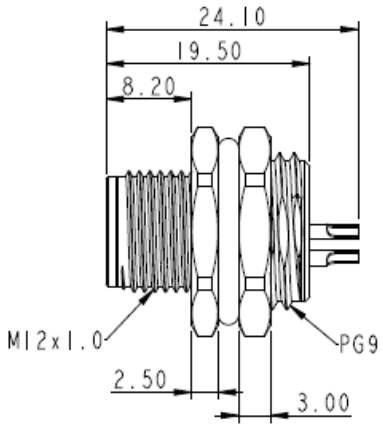
INTRODUCTION:

Since the M21 Connector is reaching EOL, we would like to inform you that Winmate will be changing the M21 Connector (pin header) to the M12 connector in our waterproof products. This change will not affect waterproof connectors that do not contain pin headers such as connectors that have standard LAN, HDMI, DVI ports.

Details:

The comparison table as below. For more information, please contact your Winmate Sales Representative.

Comparison Table:

	Old M21 Connector	New M12 connector
Photo		
External side drawing		
Internal side drawing		
Material	Plastic	Metal

IMPACTED PRODUCT LIST:

Model Name	
Panel PC / Display / Box PC	XXXXXXXX-65XXXX
	XXXXXXXX-67XXXX
	XXXXXXXX-SPXXXX
	F65EAC-IXXX

(X=A~Z, 0~9)

RELEASE DATE:

October 04, 2018

Will be effective from March-01, 2019

ISSUED BY: Paul Sun

APPROVE:  **MD:** **EE:** **TE:** **PE:**