

# Product Change Notification

**Document No.**                      **PCN-A-1070524**                      **Revision**                      **1.1**

**PCN TOPIC:**

Winmate will change the 15.6" Touch & panel in p-cap panel mount/E-series products.

**INTRODUCTION:**

Since the 15.6" Touch Screens have insufficient production numbers, we would like to inform you that Winmate will change the 15.6" Touch Screen and so the corresponding screen must also be modified.

**Details:**

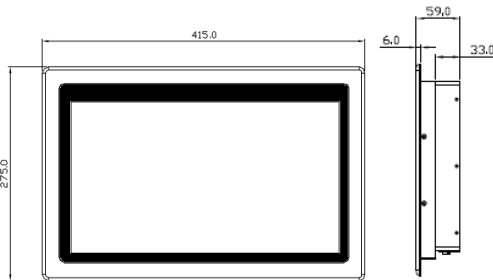
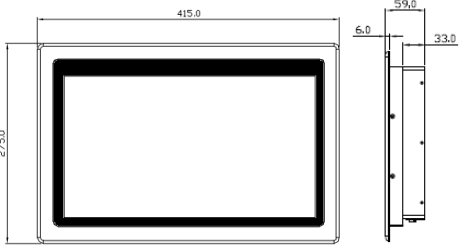
The 15.6" Touch & panel Screen will not cause any outside mechanical change. But the panel specifications will be changed as seen through the comparison table below. In addition, the updated LCD display SKU can only support standard I/O and Option 1 because these two panels support scalar differently.

Comparison Table:

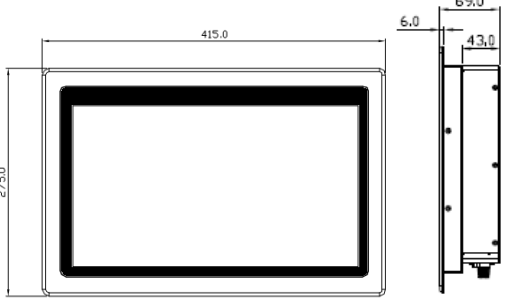
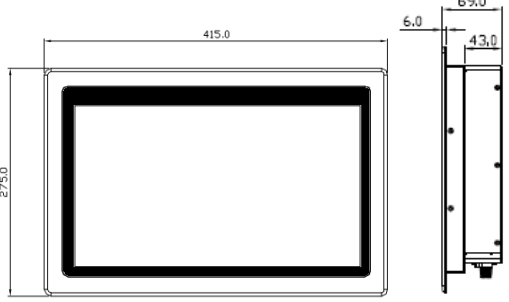
***Panel specification comparison table***

	<b>Old panel (A2)</b>	<b>New panel (A4)</b>
Active Area	344.232(H)x193.536(V)	344.16(H)x193.59(V)
Resolution	1366x768	1920x1080
Contrast ratio	500:1	800:1
Viewing Angles	-85~85(H);-80~80(V)	-85~85(H);-85~85(V)

***For 15.6" P-cap Panel Mount LCD***

	<b>Old</b>	<b>New</b>
Outside Dimension	 <p style="text-align: center;">Dimension: 444x285x59mm</p>	 <p style="text-align: center;">Dimension: 444x285x59mm</p>
I/O optional	Standard I/O: VGA + HDMI Option 1: VGA + HDMI + DVI Option 2: VGA + DVI + S-Video + Composite	Standard I/O: VGA + HDMI Option 1: VGA + HDMI + DVI

***For 15.6" P-cap Panel Mount Panel PC***

	<b>Old</b>	<b>New</b>
Outside Dimension	 <p style="text-align: center;">Dimension: 444x285x69mm</p>	 <p style="text-align: center;">Dimension: 444x285x69mm</p>

**IMPACTED PRODUCT LIST:**

Model Name	
Panel PC & Display	W15XXXX-PPA2 W15XXXX-EHA2 (X=A~Z,0~9)

**RELEASE DATE:**

May 23, 2018

**Will be effective from May 23, 2018**

**ISSUED BY: Julian Syu**

**APPROVE:**

*Julian Syu* MD:

**EE:**

**TE:**

**PE:**