

Product Change Notification

Document No. PCN-A-1061130 **Revision** 1.0

PCN TOPIC:

Winmate changes the 15" & 21.5" touch screen of P-Cap Panel Mount, P-Cap Stainless & M-series Panel PC & Display.

INTRODUCTION:

This is the notification for customers that 15" & 21.5" touch screens reaches its End-of-Life (EOL), therefore Winmate changes the 15" & 21.5" touch screen of P-CAP Panel Mount, P-CAP Stainless & M-series Panel PC & Display.

DETAILS:

Except 15" & 21.5" touch changes, touch controller IC will be replaced by a new one. Notice that changes of the 15" touch screen do not cause any outside mechanical change, but changes of the 21.5" touch screen affects mechanical dimension of Stainless P-cap series and M-series products. Please refer to the comparison table below.

Comparison Table:

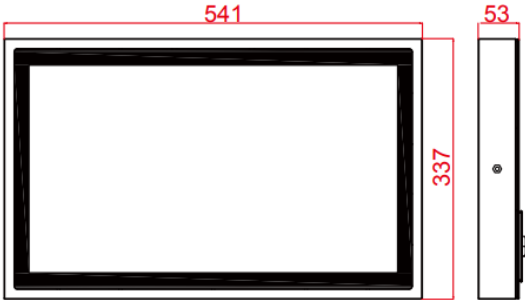
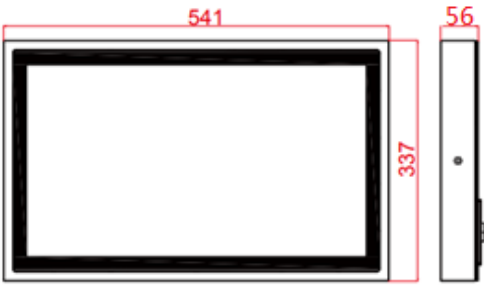
15" P-cap Panel Mount / Stainless P-cap / M-series

	Current Design	New Design
Outside Dimension	No changes	
Cut out dimension	No changes	
Touch Controller	UCB-P007-005 Control Board	EETI EXC 3188 IC Control Board
Touch Model	MU-M150-001	STS-D15001-E

21.5" P-cap Panel Mount series

	Current Design	New Design
Outside Dimension	No changes	
Cut out dimension	No changes	
Touch Controller IC	UCB-P007-0010 Control Board	EETI EXC 3188 IC Control Board
Touch Model	MU-M215-003	STS-2286

21.5" Stainless P-cap series

	Current Design	New Design
Outside Dimension	 <p style="text-align: center;">Dimension: 541 x 337 x 53</p>	 <p style="text-align: center;">Dimension: 541 x 337 x 56</p>
Touch Controller IC	UCB-P007-0010 Control Board	EETI EXC 3188 IC Control Board
Touch Model	MU-M215-003	STS-2286

APPROVE:

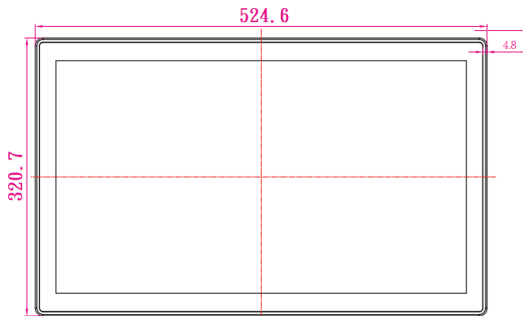
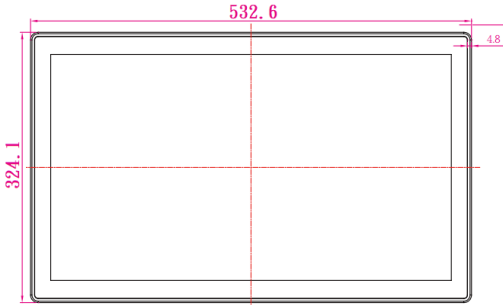
[Handwritten Signature] MD:

EE:

TE:

PE:

21.5" M-series

		Current Design	New Design
Outside Dimension			
		W22IHWS-MHA3: 524.6 x 320.7 x 94.2 W22IBWS-MHA3: 524.6 x 320.7 x 79.2	W22IHWS-MHA3: 532.6 x 324.1 x 94.2 W22IBWS-MHA3: 532.6 x 324.1 x 79.2
Cutout dimension	No changes		
Touch Controller IC	UCB-P007-0010 Control Board		EETI EXC 3188 IC Control Board
Touch Model	MU-M215-003		STS-2286

*Please refer to product datasheets for a detailed mechanical drawing.

AFFECTED PRODUCTS:

Model Name	
Panel PC & Display	R15XXXX-PPXX W22XXXX-PPXX R15XXXX-SPXX W22XXXX-SPXX R15XXXX-MHXX W22XXXX-MHXX (X=A~Z,0~9)

RELEASE DATE:


November 30, 2017

LAST TIME BUY:

December 8, 2017

ISSUED BY: Paul Sun

Will be effective from November 30, 2017

APPROVE:  MD: EE: TE: PE: