

PCN – Product Change Notification

Document No. PCN-A-1060612 **Revision** 1.0


PCN Topic: Winmate changes the touch of 27" display and panel PC.

Introduction: This is the notification to customers that the touch GP-SJ-2703EGB of 27" display and panel PC has reached its End-of-Life, and for 27" display and panel PC Winmate will use another 27" touch - SCTL4B27BR.

Details: The 27" touch GP-SJ-2703EGB product has reached its End-of-Life; therefore Winmate replaces EOL touch GP-SJ-2703EGB by 27" SCTL4B27BR. Notice that this change affects mechanical dimensions of the unit. Refer to a comparison table below for more details.

Comparison Table:

W27L100-OFA1 Original Design	W27L100-OFA1 New Design
<p><i>Unit dimensions: 672.8x411.0x56.0mm</i></p>	<p><i>Unit dimensions: 688.8x427.0x56.0mm</i></p> <p><i>Optional Touch Screen: SAW</i></p>
W27L100-OFA2 Original Design	W27L100-OFA2 New Design
<p><i>Unit dimensions: 672.8x411.0x56.0mm</i></p>	<p><i>Unit dimensions: 688.8x427.0x56.0mm</i></p>

APPROVE:  MD: EE: TE: PE:

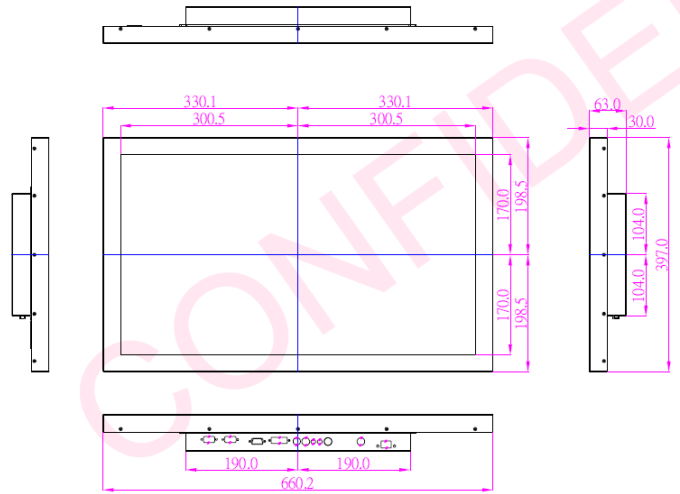
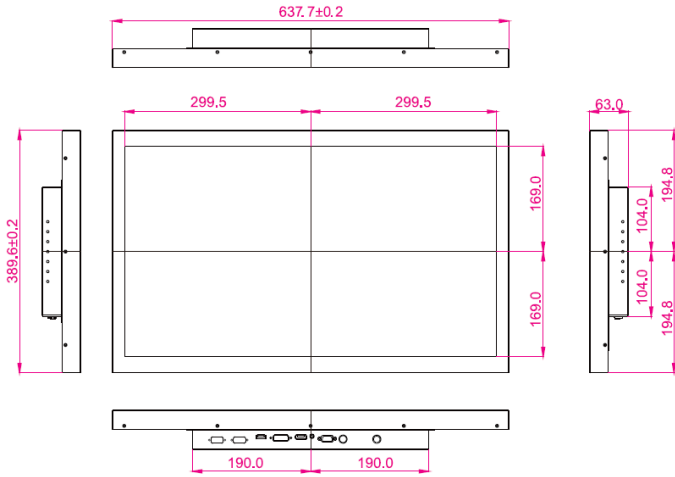
W27L100-CHA1 Original Design

W27L100-CHA1 New Design

Unit dimensions: 637.7x389.6x63.0mm

Unit dimensions: 660.2x397.0x63.0mm

Optional Touch Screen: SAW

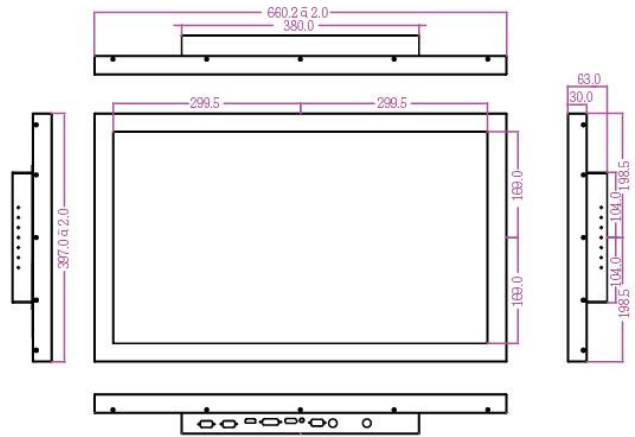
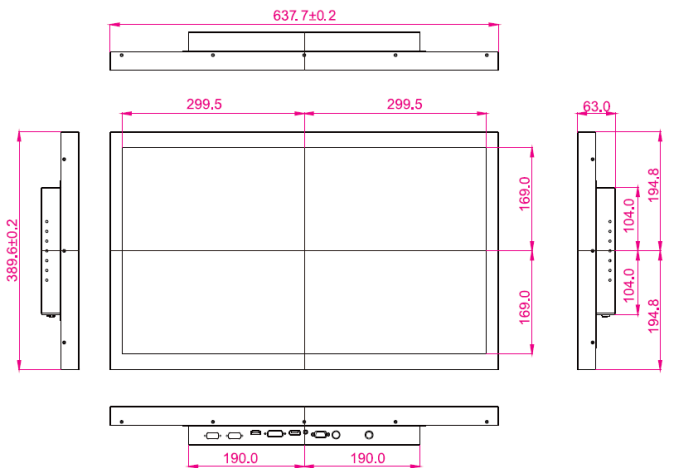


W27L100-CHA2 Original Design

W27L100-CHA2 New Design

Unit dimensions: 637.7x389.6x63.0mm

Unit dimensions: 660.2x397.0x63.0mm



APPROVE:  MD:

EE:

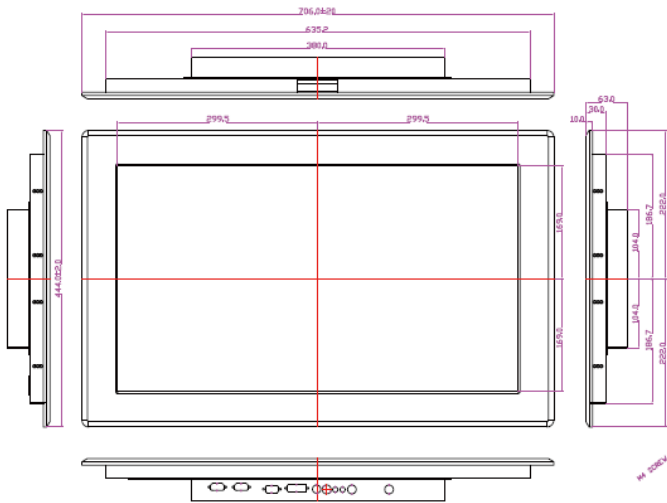
TE:

PE:

W27L100-IPA1 Original Design

Unit dimensions: 706.0x444.0x63.0mm

Cut Out dimension: 640x376mm

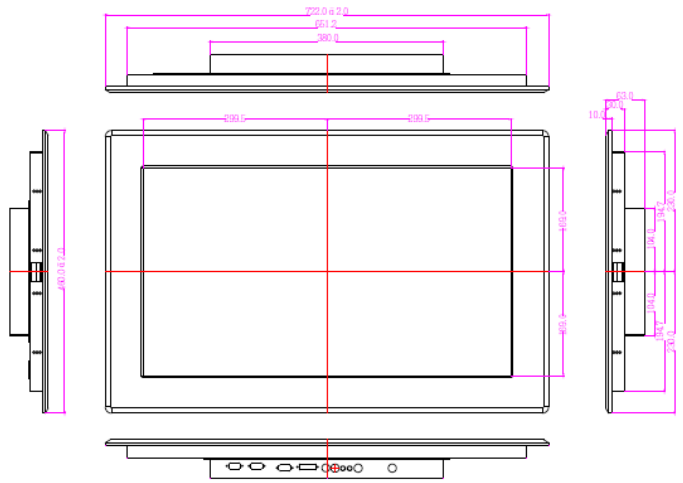


CUT OUT 640 x 376 mm

W27L100-PMA1 New Design

Unit dimensions: 722.0x460.0x63.0mm

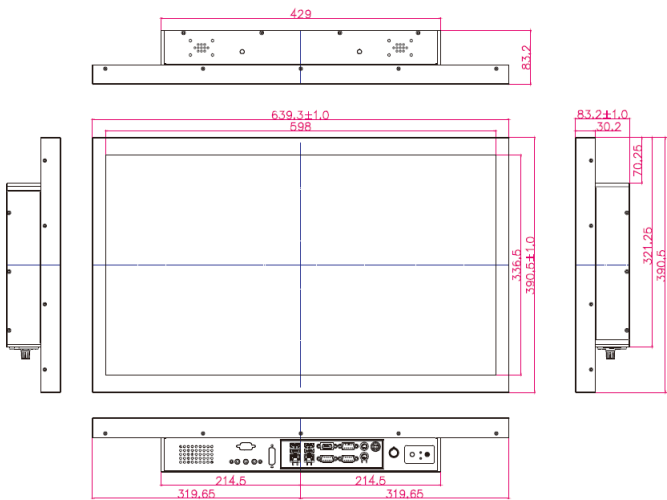
Cut Out dimension: 656x395mm



CUT OUT 656 x 395 mm

W27ID7T-OFA1 Original Design

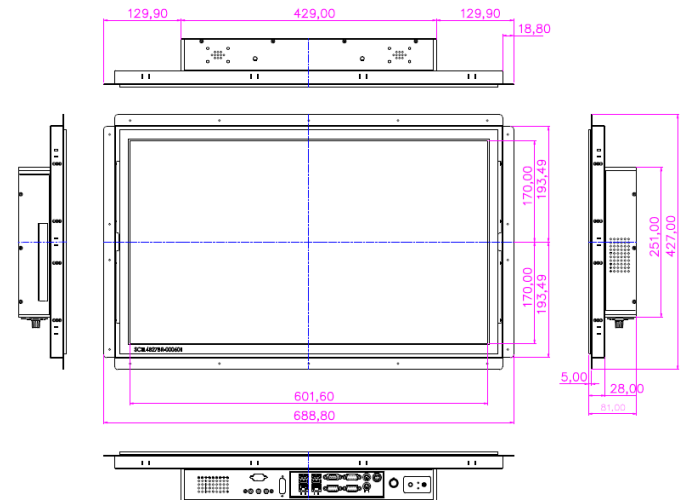
Unit dimensions: 639.3x390.5x83.2 mm



CUT OUT 639 x 376 mm

W27ID7T-OFA1 New Design

Unit dimensions: 688.8x427.0x81.0mm



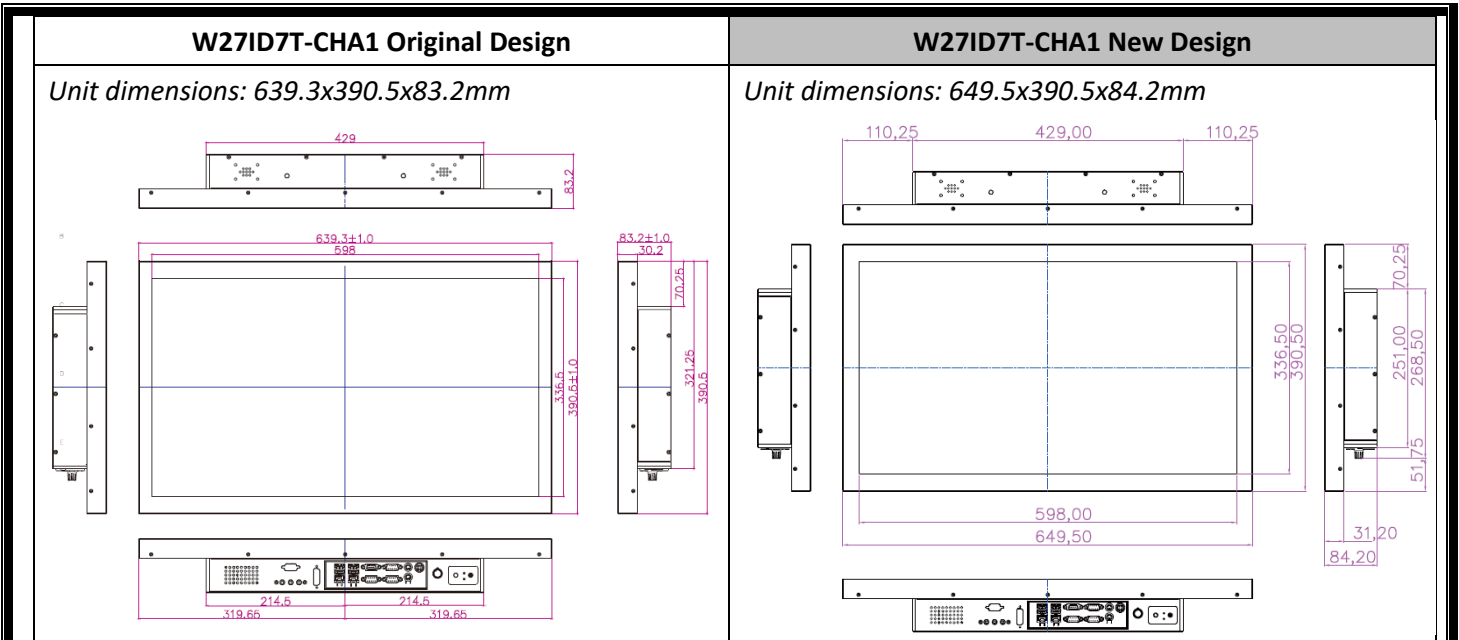
CUT OUT 656 x 395 mm

APPROVE:  MD:

EE:

TE:

PE:




Affected Products:

Display	Panel PC
<p>W27L100-OFA1 W27L100-OFA2 W27L100-CHA1 W27L100-CHA2 W27L100-IPA1(Change to W27L100-PMA1)</p>	<p>W27ID7T-OFA1 W27ID7T-CHA1</p>

Release date: June 12,2017

Will be effective from June 12, 2017

Issued by: Julian Syu

APPROVE:  MD: EE: TE: PE: