

PCN – Product Change Notification

Document No

PCN-A-1030502-1

Revision

1.0

PCN Topic: ELO Flat Panel Mount PC & ELO Flat Panel Mount Display mechanical design

INTRODUCTION:

We would like to inform our customers that the mechanical design of ELO Flat Panel Mount PC and Display has been changed. Now, we offer our customers with **default** (No OSD button on the front bezel) and **optional** (with 3 OSD button on the front bezel) mechanical design.

Default : No OSD button on the front bezel

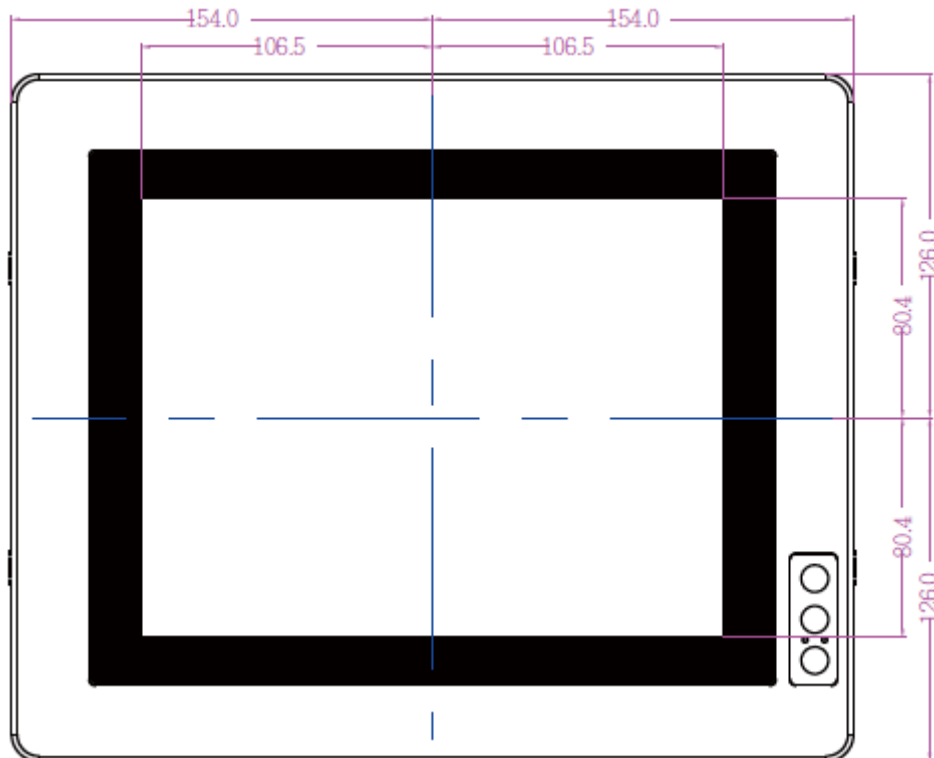
Optional : With 3 OSD button on the front bezel

Details:

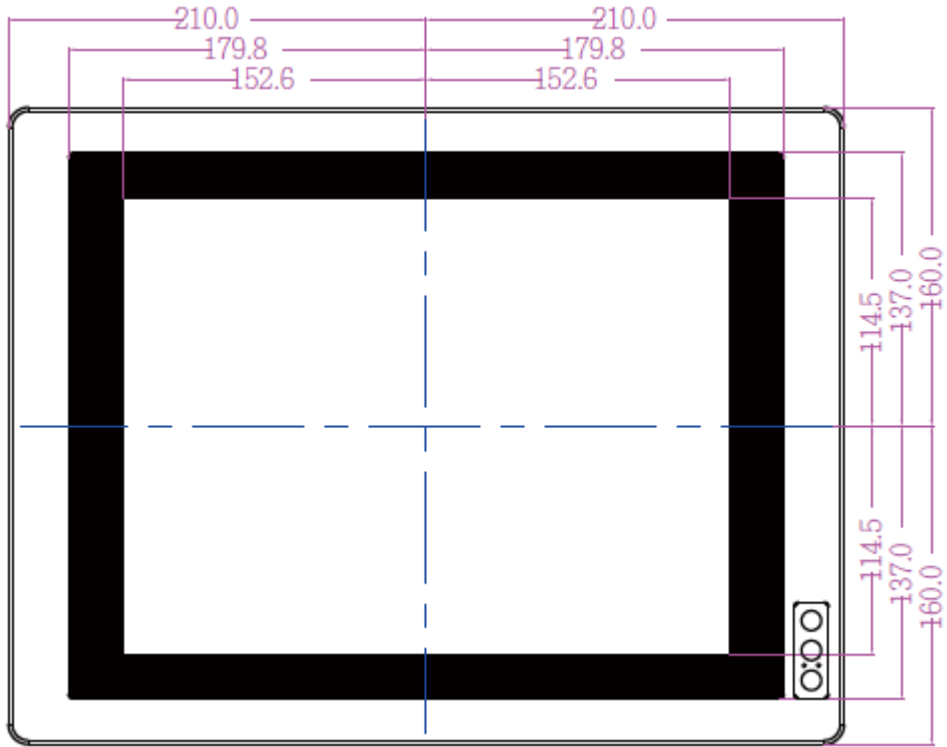
The below pictures show the example of how is the default mechanical design is different from the optional design

Panel Mount PC Old Mechanical Design:

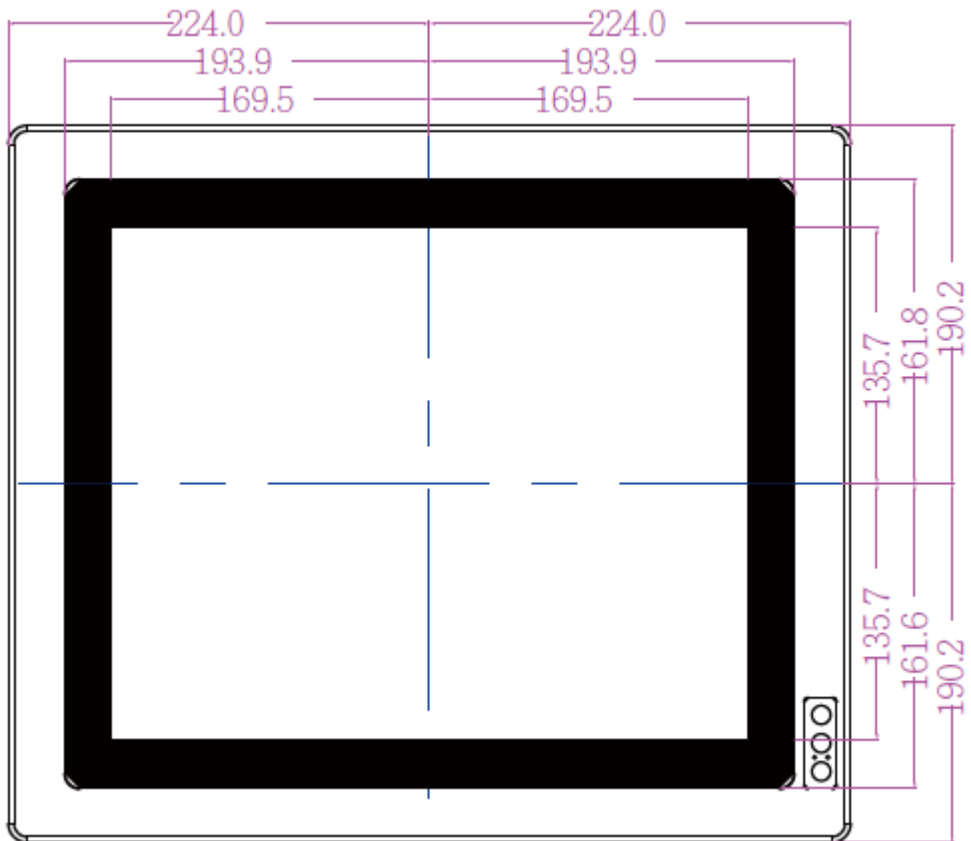
R10ID3S-EPA1



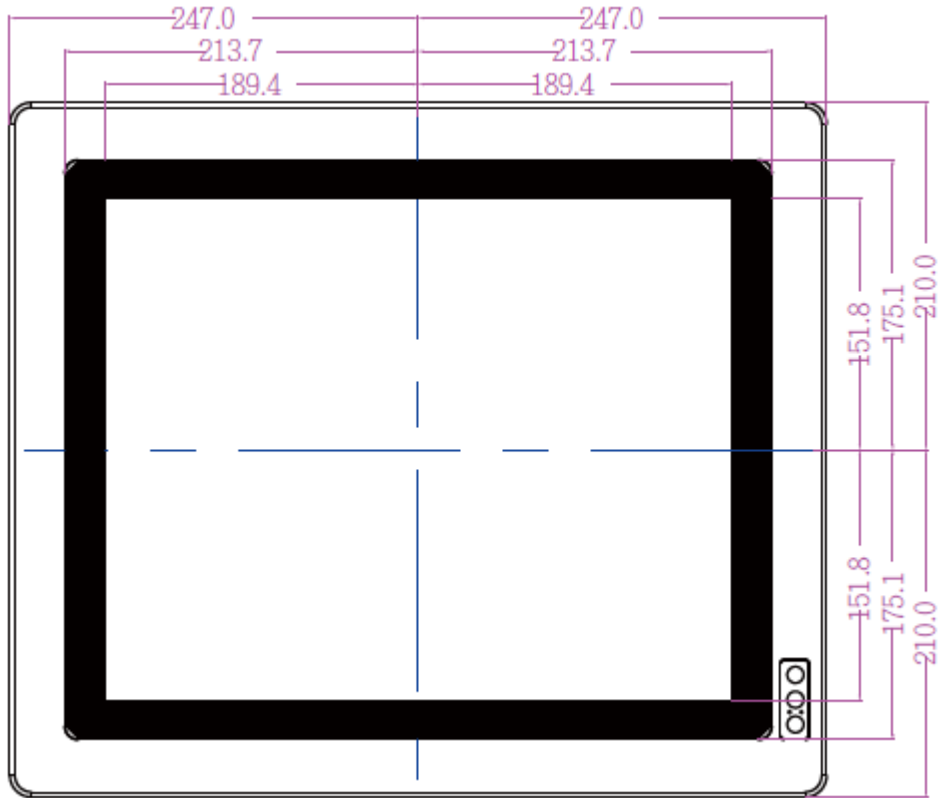
R15ID7T-EPC3



R17ID7T-EPM1

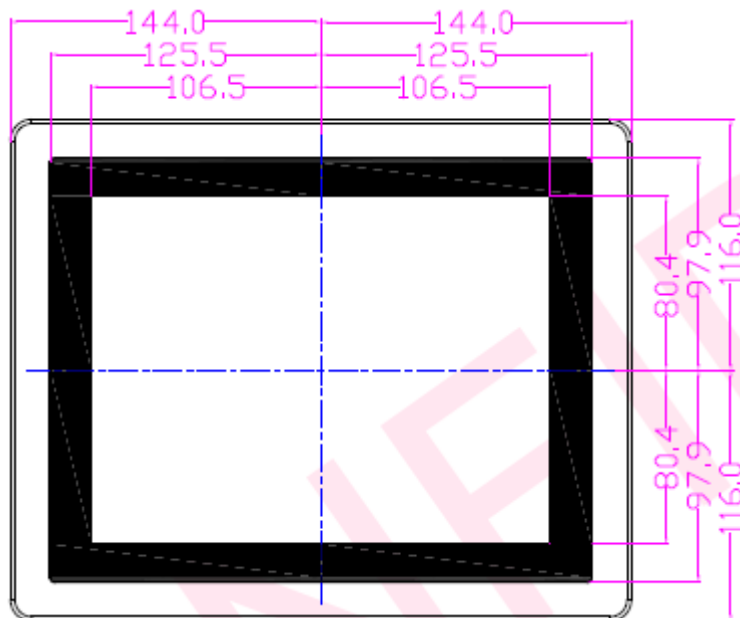


R19ID7T-EPA1

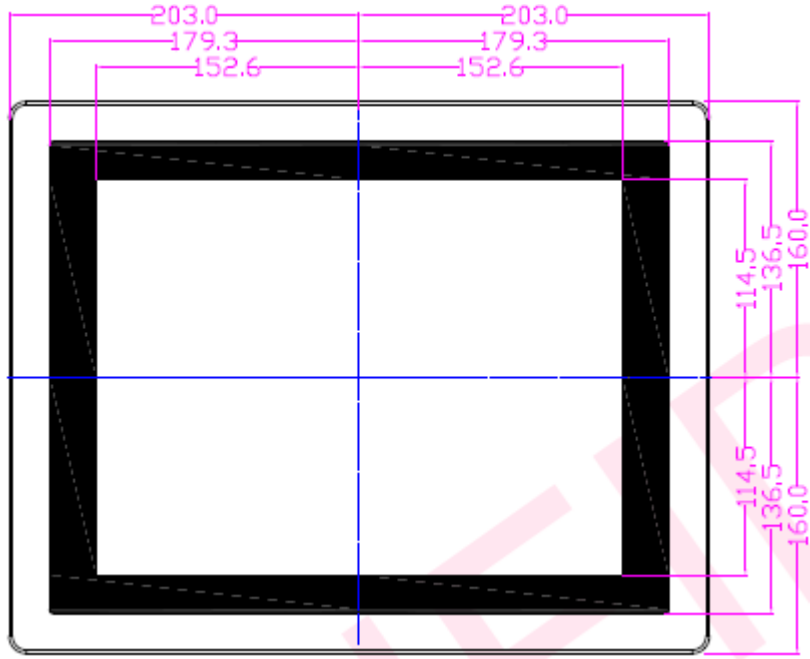


Panel Mount PC New Mechanical Design:

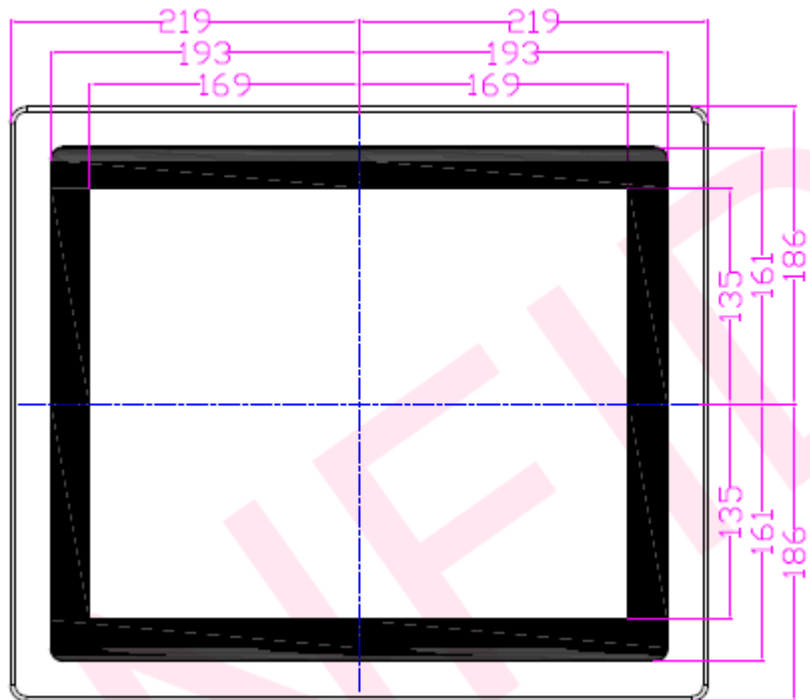
R10ID3S-EPA1



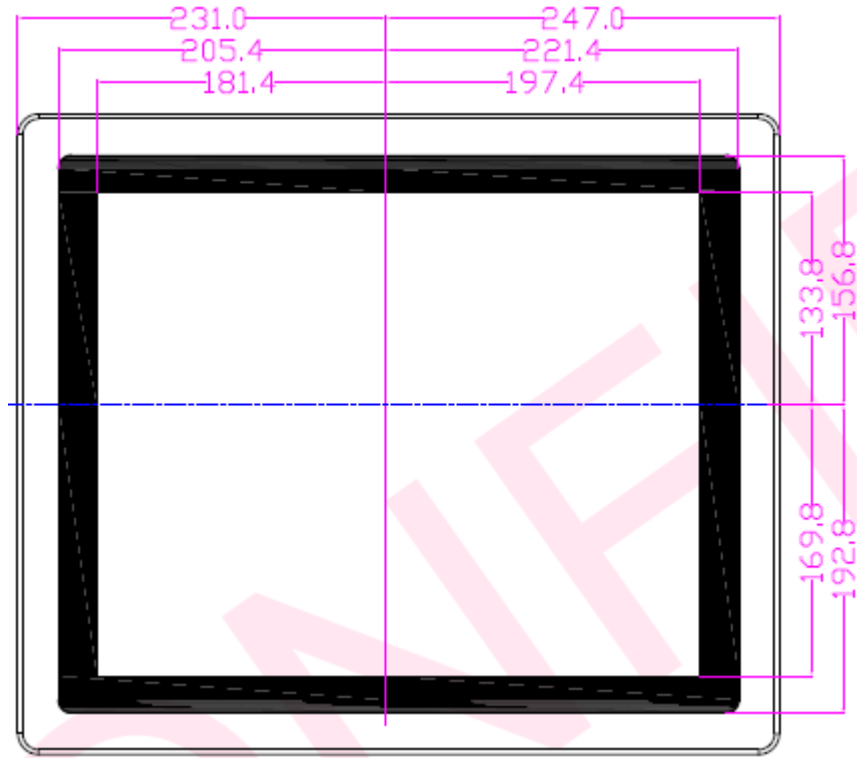
R15ID7T-EPC3



R17ID7T-EPM1

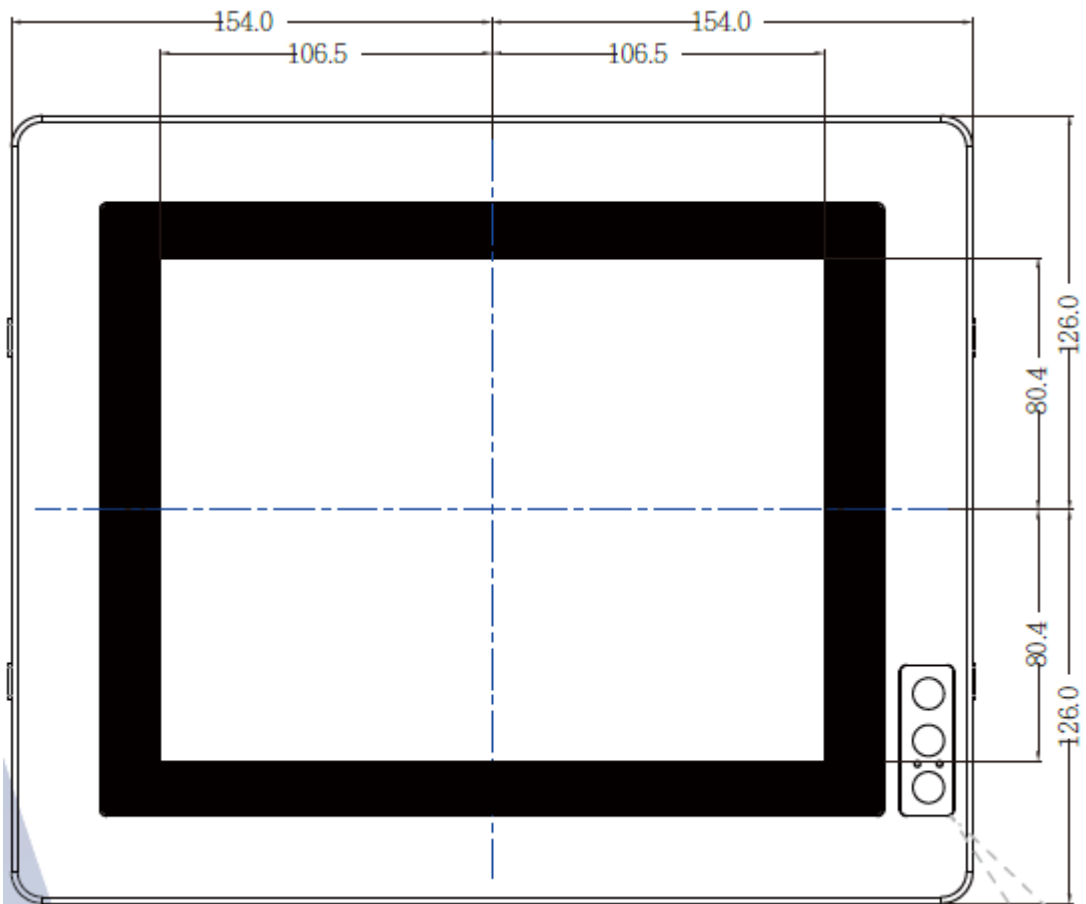


R19ID7T-EPA1

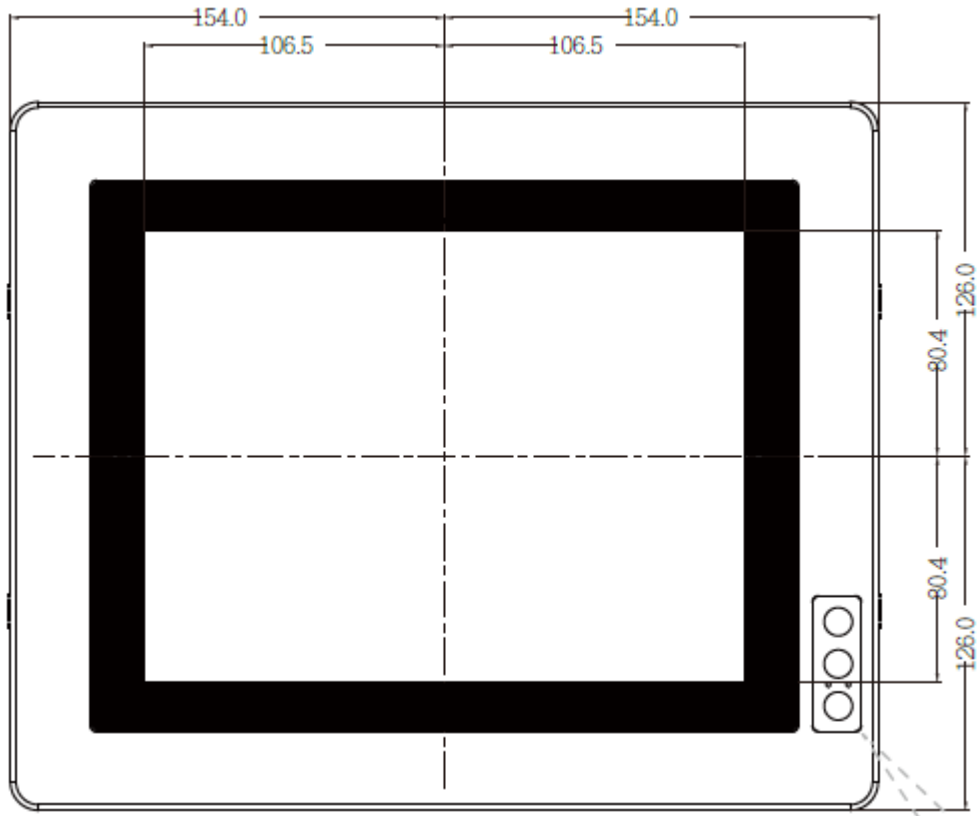


Display Old Mechanical Design :

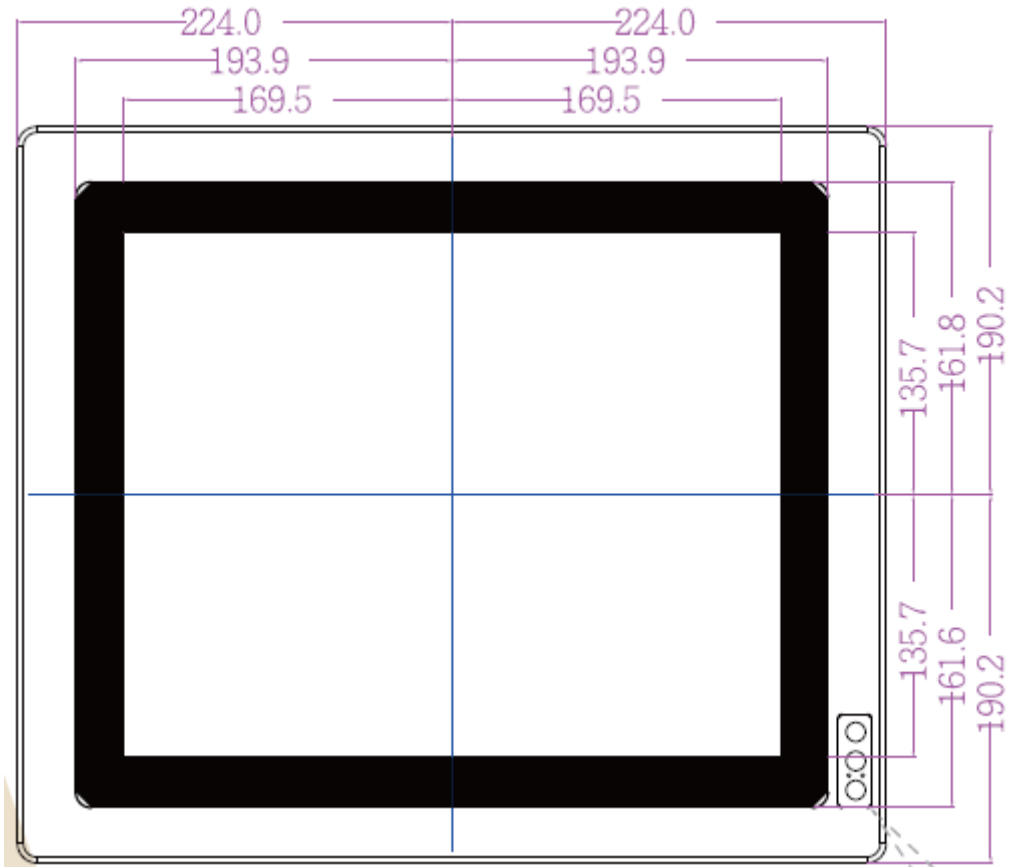
R10L100-EPT2



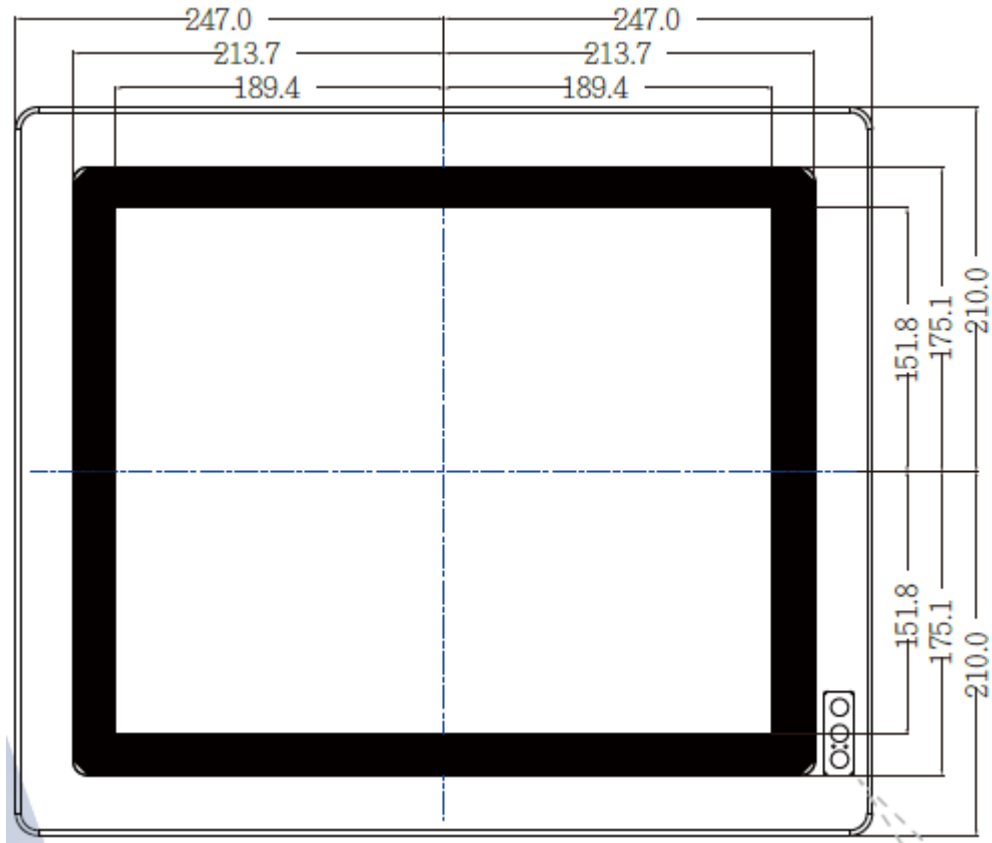
R15L600-EPC3



R17L500-EPM1

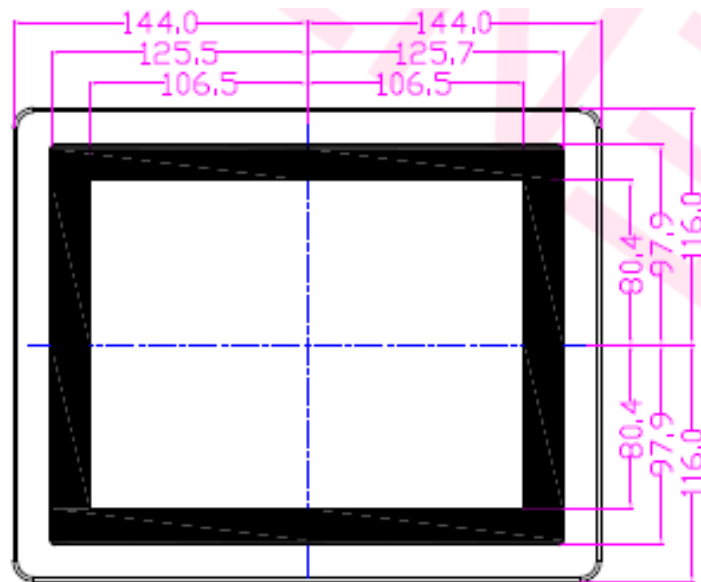


R19L300-EPA1

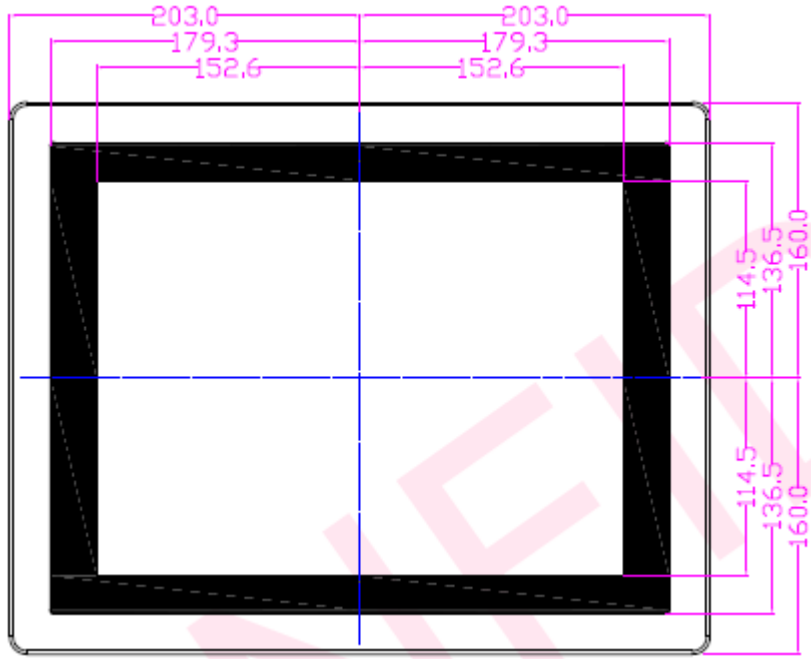


Display New Mechanical Design :

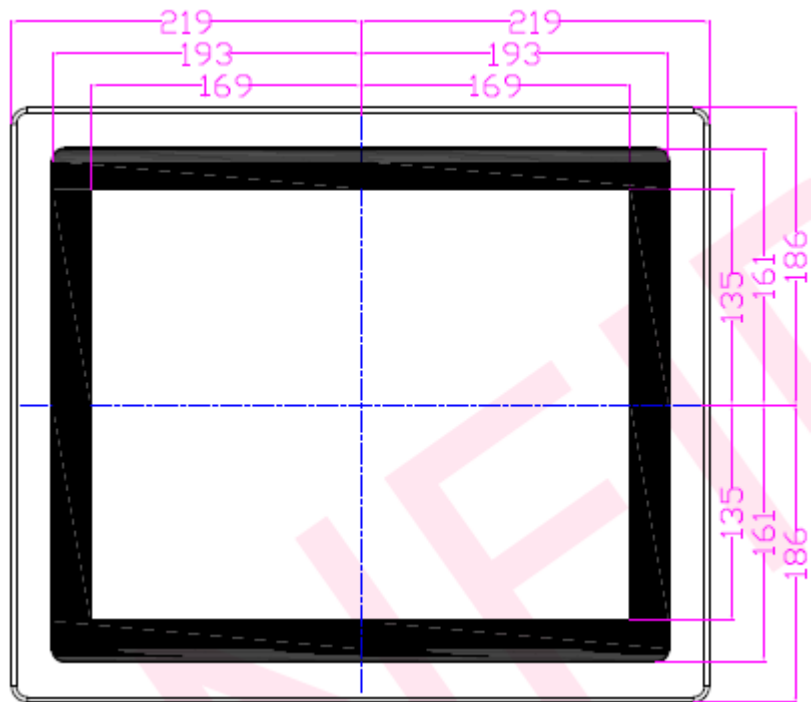
R10L100-EPT2



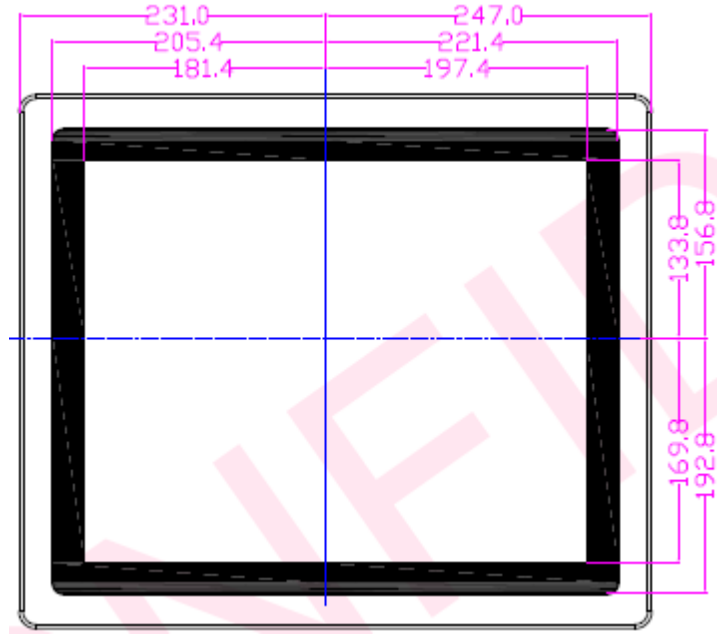
R15L600-EPC3



R17L500-EPM1



R19L300-EPA1



Will be effective from 2014 / 5 / 2

Issued by: Winmate Communication INC.

APPROVE:

[Handwritten Signature] MD:

EE:

TE:

PE: