

PCN – Product Change Notification

Document No PCN-A-1030129 **Revision** **1.0**

PCN Topic: Products with 21.5” front IP65 bezel will be changed from 10mm to 8mm.

INTRODUCTION:

Winmate will replace the front IP65 bezel with 8 mm for 21.5” display/ PPC product series and the housing will also be changed.

Details:

This is notification to customers that Winmate will change the front IP65 bezel. For good product and better price, Winmate will use 8 mm IP65 bezel to replace 10 mm. Winmate will still provide 10 mm front IP65 bezel by request.

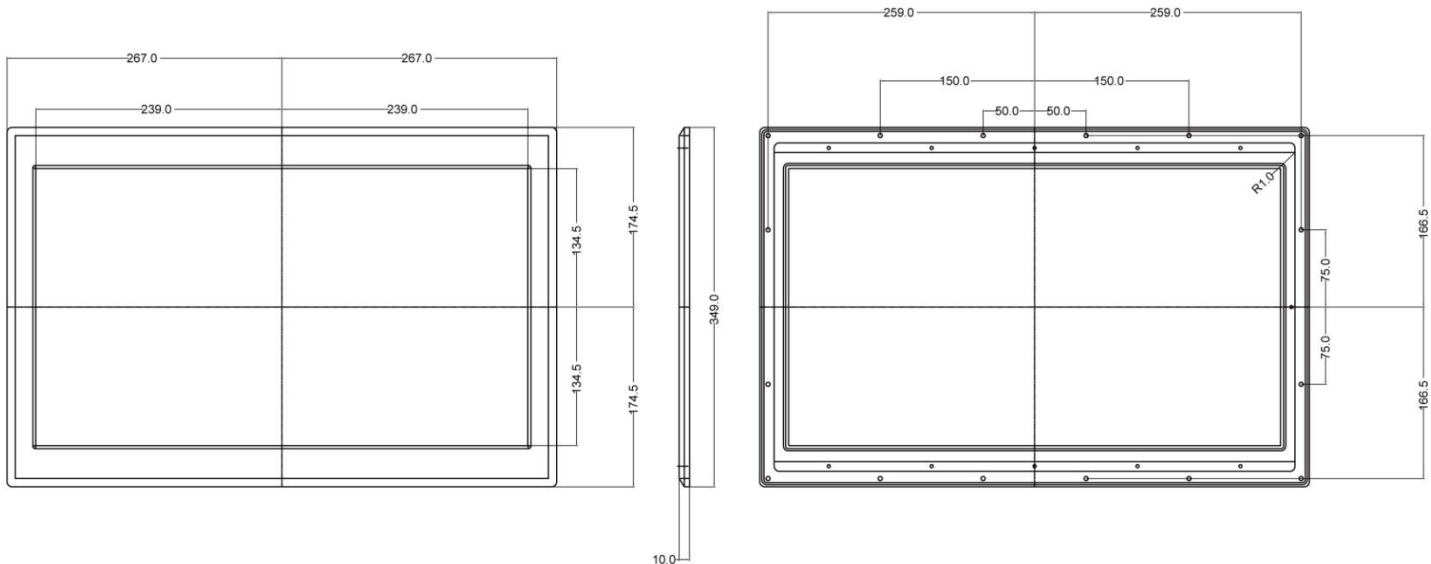
Impact Product List

Below table shows the product which are affected by this change notification, soon We will revise the drawing in each affected product’s datasheet

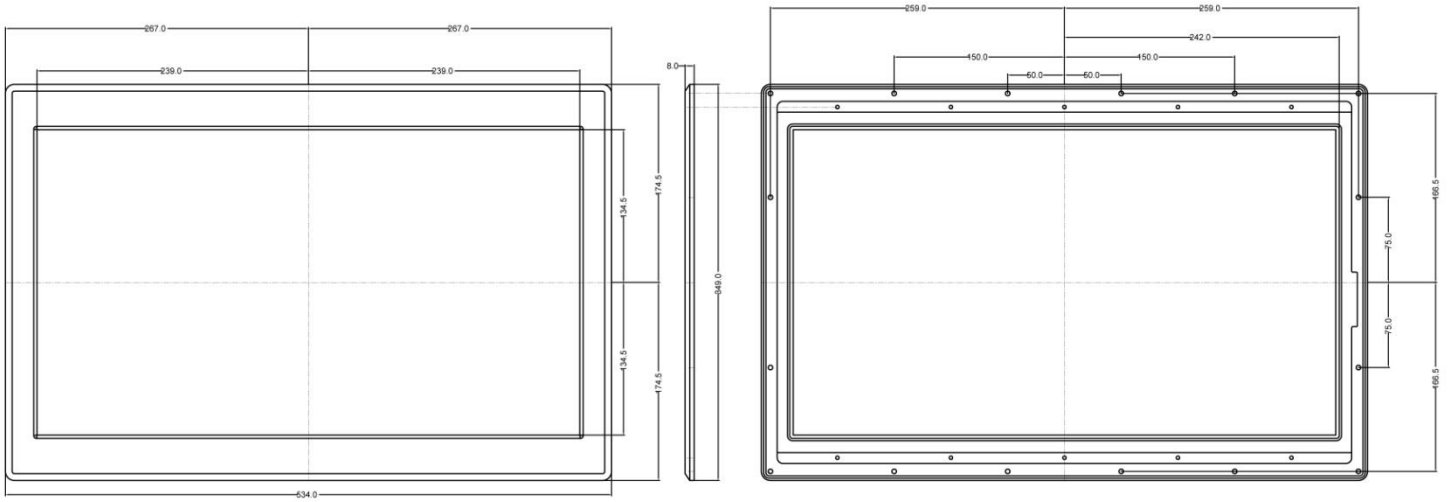
Display	Panel PC
W22L100-IPA3	W22ID7T-IPA3
W22L110-IPA3	W22IV7T-IPA3
	W22IC7T-IPA3
	W22I77T-IPA3

Drawing comparison

10mm




8mm



Will be effective from 2014 /1/29

Issued by: Jimmy Chen

APPROVE:  **MD:** **EE:** **TE:** **PE:**