

PCN – Product Change Notification

Document No PCN-A-11101902 **Revision** 1.0

PCN Topic: Update 12.1” inches Open Frame Drawing_W12L100-OFM9

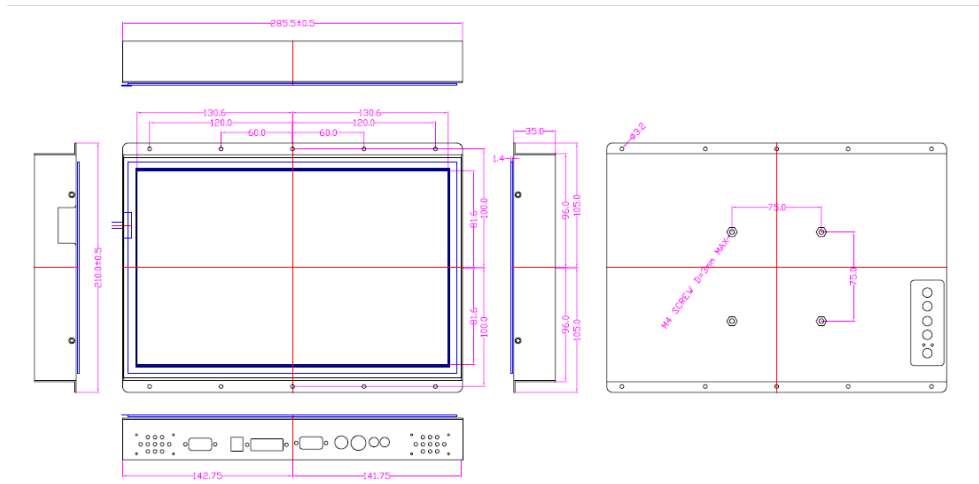
INTRODUCTION:

Due to the change of mechanical housing, we would like to inform you that about our Product changes on the product drawing.

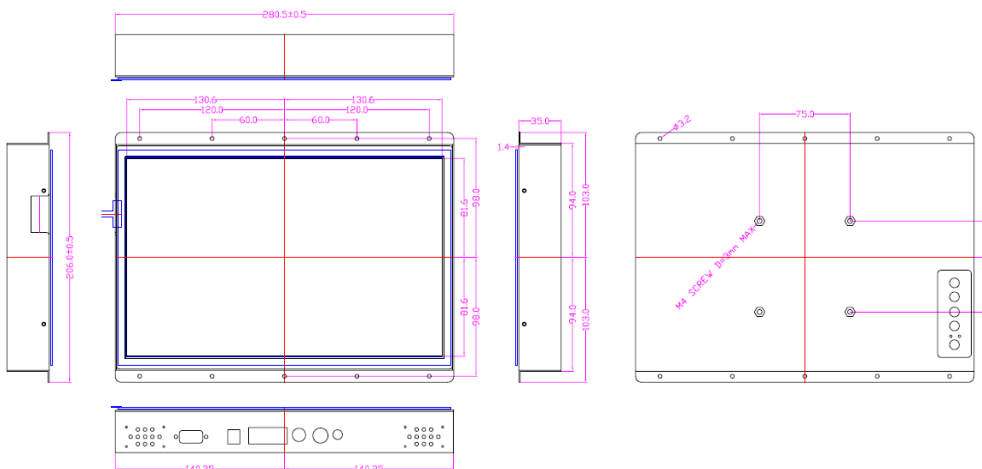
Details:

We will release new 12.1” inches Open Frame LCD drawing for the model of W12L100-OFM9, The dimension of this model will be changed from 285.5*200*35(W*L*D) to 280.5*196*35(W*L*D). The below pictures show the example of how the new drawing differ from the original one.

Old Mechanical Design:



New Mechanical Dimension:



Will be effective from 2011 / 10 / 19

Issued by:

Peggy Cheng

APPROVE:

MD:

EE:

TE:

PE