

# PCN – Product Change Notification

Document No

PCN-A-111229

Revision

1.0

PCN Topic: 8.4"、10.4"、15" G-WIN Rugged Panel PC and Display with M4 VESA holes in the back side is Replaced by M6 VESA holes.

## INTRODUCTION:

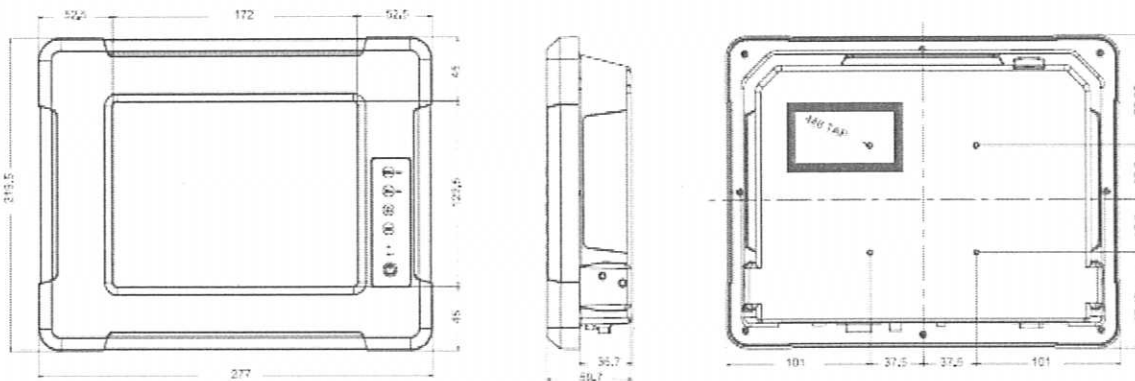
To improve Winmate's G-WIN Rugged Panel PC and Display, we would like to inform you that about our Product changes on the VESA from M4 to M6.

## Details:

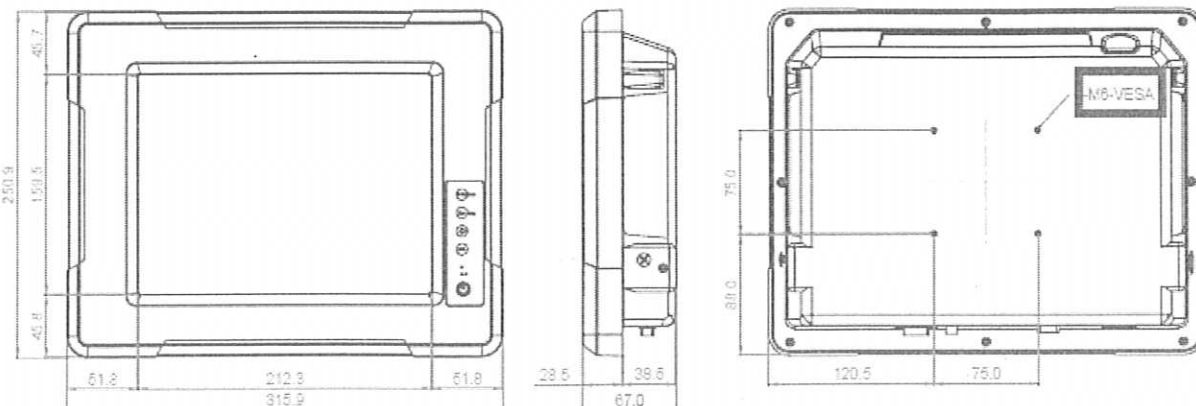
In order to improve anti-vibration ability of the G-WIN machine, we decide to change the VESA of 8.4"、10.4"、15" G-WIN Rugged Panel PC and Display (R08XXXX-VMXX、R10XXXX-VMXX、R15XXXX-VMXX) from M4 to M6. The new Mechanical design of the back side is shown below.

## Mechanical Dimension

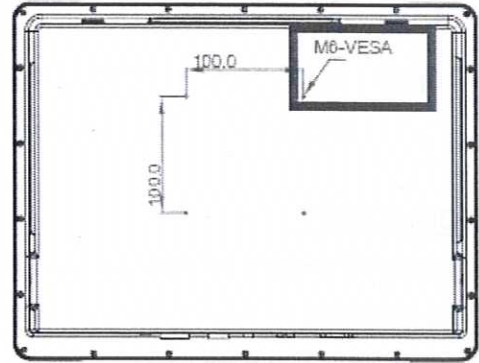
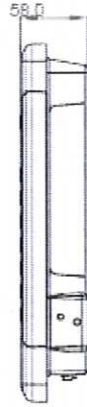
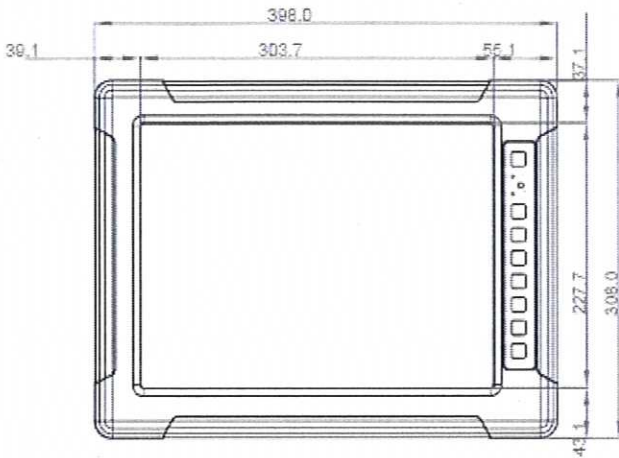
(R08XXXX-VMXX)



(R10XXXX-VMXX)



(R15XXXX-VMXX)



Will be effective from 2011 / 12 / 19

Issued by:

Henry HSU

APPROVE:

*[Handwritten signature]*  
12/19

MD:

EE:

TE:

PE: