

Product Change Notification

Document No. PCN-A-1090917 **Revision** 1.0

PCN TOPIC: M900PT changes the smartcard reader module.

INTRODUCTION: Winmate changes the smartcard reader module of M900PT to support a more smartcard format, and remove the MSR card support.

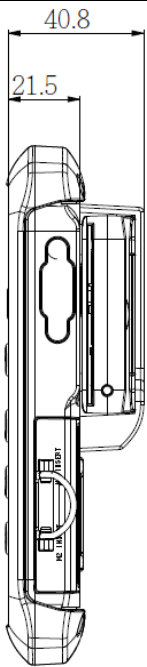
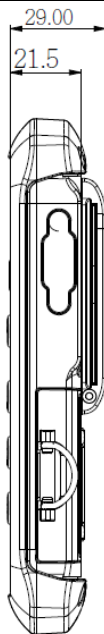
DETAILS:


For more smartcard format, Winmate changes the smartcard reader of M900PT to a new module, and remove the MSR card format support. Moreover, the dimension of the new smartcard module is thinner than before. The card format and dimension change details are listed below.

Card Format Change

| Old | New |
|---|---|
| Magnetic Stripe Features ISO 7810 / ISO 7811 | ICC Contact Card Features ISO 7816 Part 1, 2, 3 Support T=1 and T=0 protocol IC card EMV Level 1 Compliant |

Dimension Change

| Old | New |
|---|---|
|  |  |
| 226.6 x 147.8 x 40.8 mm | 226.6 x 147.8 x 29.0 mm |

APPROVE:  MD: EE: TE: PE:

AFFECTED PRODUCT LIST:

| | Model Name |
|------------------|------------|
| Rugged Tablet PC | M900PT |

RELEASE DATE: September 17, 2020**ISSUED BY:** Curry Chen**Will be effective from orders after September 21, 2020*APPROVE:  MD:

EE:

TE:

PE: