

# Product Change Notification

Document No.

PCN-A-1080402

Revision

1.0

**PCN TOPIC:**

Winmate changes the VESA hole sizes for the G-WIN 8.4" and 10.4" Displays and Panel PC to M4 VESA holes.

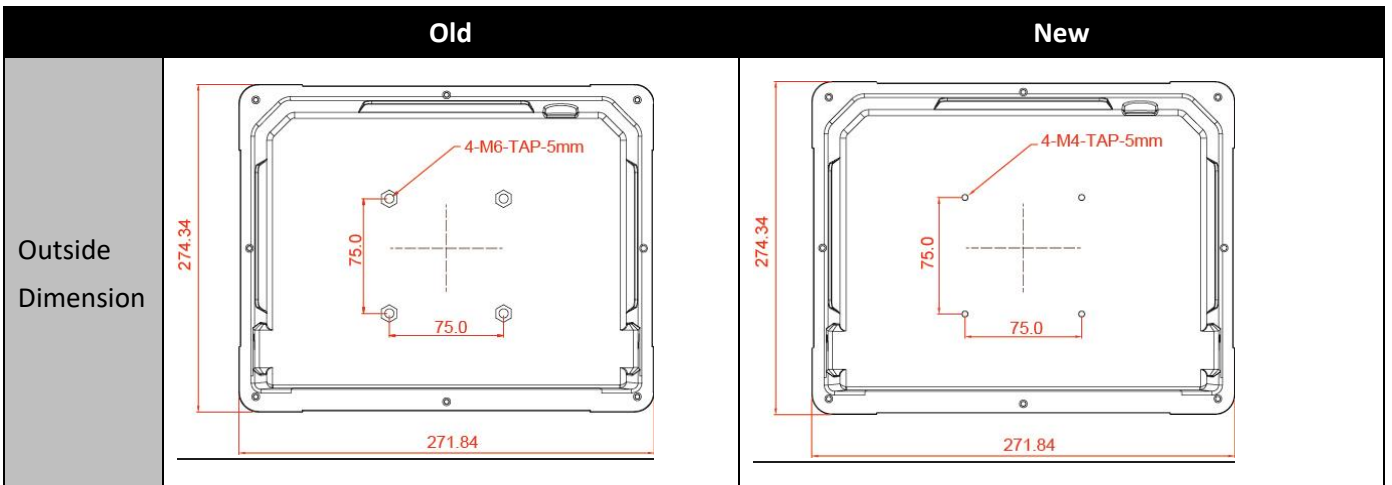
**INTRODUCTION:**

In order to maintain consistency and to further improve the design of the G-Win Display and Panel PC product series, Winmate has modified the VESA Hole sizes on the 8.4" and 10.4" model sizes from M6 VESA holes to M4 VESA holes.

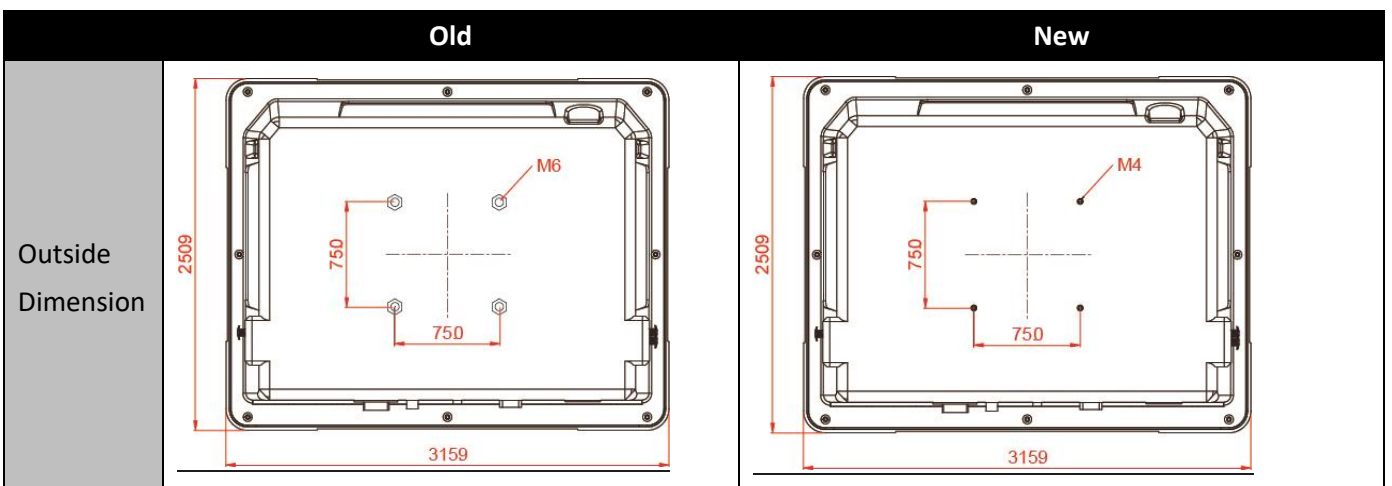
**Details:**

In order to better improve the design of the G-Win series Display and Panel PC products, the VESA holes on the back housing has been modified from M6 VESA holes to M4 VESA holes. This change will not result in any outside mechanical changes to the product series, nor will it change any of the internal specifications. The revised VESA holes are shown as below. For any additional questions, please contact your Winmate Sales Representative.

**R08XXXX-VMXX:**



**R10XXXX-VMXX:**



**IMPACTED PRODUCT LIST:**

Model Name	
G-WIN Series	R08XXXX-VMXX
Panel PC & Display	R10XXXX-VMXX

**RELEASE DATE:**

April 9, 2019

**Will be effective from April 9, 2019**

**ISSUED BY: Julian Syu**

**APPROVE:**

*Julian Syu* MD:

**EE:**

**TE:**

**PE:**