

PCN – Product Change Notification

Document No

PCN-A-1010924

Revision

1.0

PCN Topic: Product Change Notification of VGA Cable

INTRODUCTION:

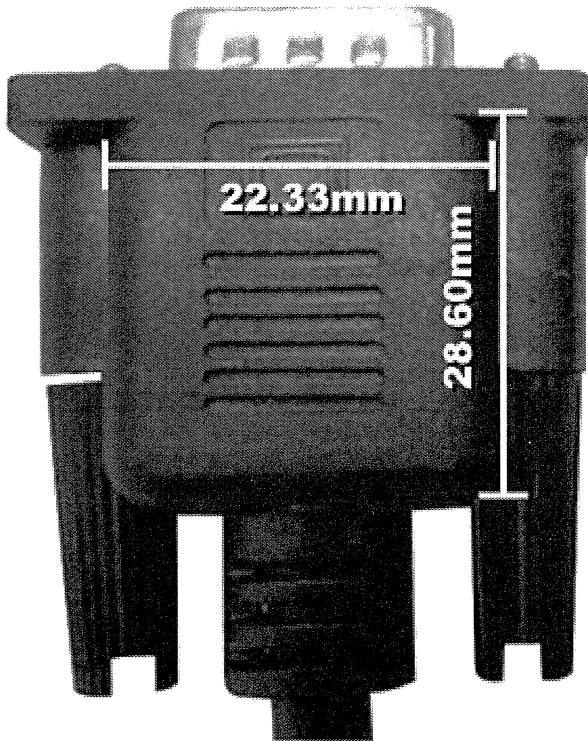
Winmate will renew 1.8 / 2M VGA cable module.

Details:

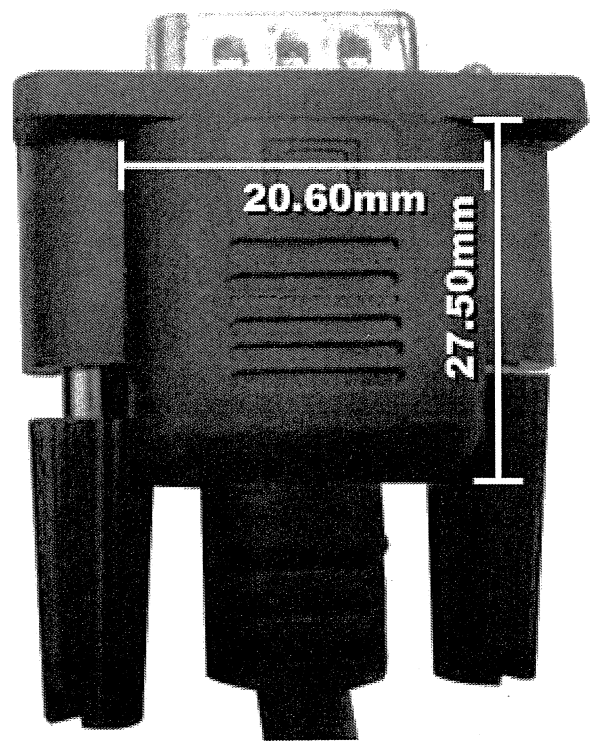
This is the Notification to customers that Winmate will officially renew the VGA cable module. As from today, old VGA cable module has phased out from supplier. Winmate will change old VGA cable module to light, small, and stable VGA cable module. In addition, all the functions of VGA cable and pin definitions will keep the same.

Comparison Table:

Old VGA Cable Module



New VGA Cable Module



Will be effective from 2012 / 09 / 24

Issued by: Marc Tsai

WINMATE

APPROVE:

Handwritten signature and date 9/24

MD:

EE:

TE:

PE: