

Product Change Notification

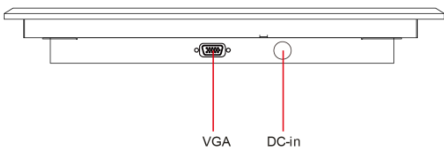
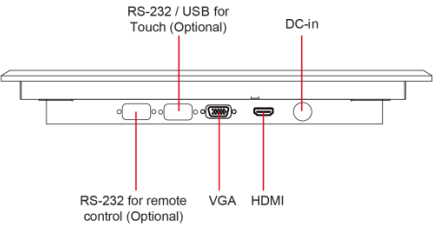
Document No. PCN-A-1060901 **Revision** 1.0

PCN TOPIC: Winmate changes the standard video input of display product line.

INTRODUCTION: This is the notification for customers that Winmate changes the standard video input of display product line for HDMI + VGA.

DETAILS: The standard video input of Winmate display product line changes to HDMI + VGA. Notice that changes doesn't affect mechanical dimensions of the unit. Refer to the comparison table and I/O schematic drawing for more details.

Comparison Table:

Video Input	Current Design	New Design
VGA	Standard	Standard
HDMI	N/A	Standard
DVI	Optional	Optional
S-Video	Optional	Optional
Composite	Optional	Optional
I/O Schematic Drawing*		

*I/O location varies by panel size

AFFECTED PRODUCTS:

Model Name (X=0~9,A~Z)			
Standard Display (Open Frame, Panel Mount, Front IP65, Chassis)	Multi-Touch (P-Cap) Display (Open Frame, Panel Mount, Chassis)	Rear Mount Display	Rack Display
RXXLXXX-OFXX	RXXLXXX-POXX	RXXLXXX-RMXX	RXXLXXX-RKXX
WXXLXXX-OFXX	WXXLXXX-POXX	WXXLXXX-RMXX	WXXLXXX-RKXX
RXXLXXX-PMXX	RXXLXXX-PPXX		
WXXLXXX-PMXX	WXXLXXX-PPXX		
RXXLXXX-IPXX	RXXLXXX-PCXX		
WXXLXXX-IPXX	WXXLXXX-PCXX		
RXXLXXX-CHXX			
WXXLXXX-CHXX			

**Product datasheets will be modified by September 15, 2017

RELEASE DATE: September 1, 2017 **Will be effective from September 3, 2017**

ISSUED BY: Austin Chang

APPROVE:  MD: EE: TE: PE: