

Product Change Notification

Document No **PCN-A-1060421** **Revision** **1.0**

PCN TOPIC: Winmate changes the design of W55L100-OML2 product series.

INTRODUCTION: Winmate changes brightness, contrast ratio and mechanical design of W55L100-OML2 series.

DETAILS: This is the notification for customers that Winmate changes the design of 55-inch display (W55L100-OML2 series). New design features better brightness characteristics, sleeker design and thinner bezel.

Notice that changes affect mechanical dimensions of W55L100-OML2 series.

New W55L100-OML2 series will be available for ordering from April 21, 2017.

	Current Design	New Design
Model Name	W55L100-OML2	W55L100-OML2
Aspect ratio	16:9	16:9
Brightness	450 nit	500 nit
Contrast Ratio	4000:1	1300:1
View Angle	-89~89 (H); -89~89 (V)	-89~89 (H); -89~89 (V)
Resolution	1920 x 1080	1920 x 1080
Color	16.7M	16.7M
Dimension (with handle)	1244.4 x 715.2x 69 mm	1228.1 x 698.9x 71.1 mm
Bezel Thickness	15.8 mm	6.5 mm

AFFECTED PRODUCTS:

	Display	Display Signal
Model Name	W55L100-OML2	W55L100-OML2/OMFA W55L100-OML2/OMIW

APPROVE: 

MD:

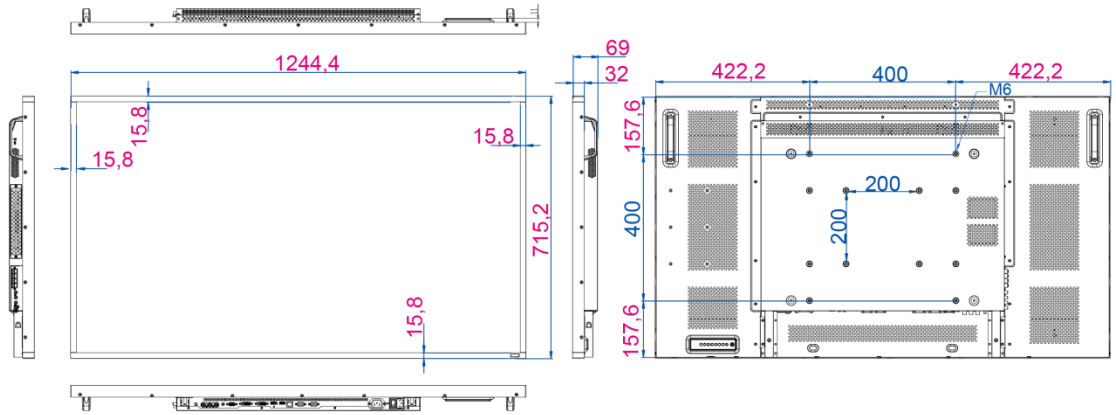
EE:

TE:

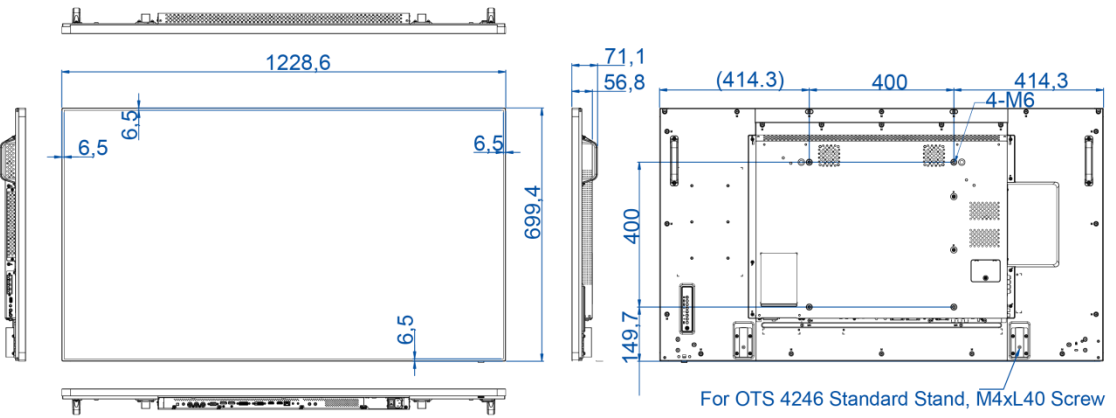
PE:

Mechanical Drawing

Current Design Mechanical Drawing



New Design Mechanical Drawing



RELEASE DATE: April 21, 2017

Will be effective from April 21, 2017

ISSUED BY: Austin Chang

APPROVE: *Austin Chang* MD: EE: TE: PE: