

# Product Change Notification

**Document No**

**PCN-A-1060119**

**Revision**

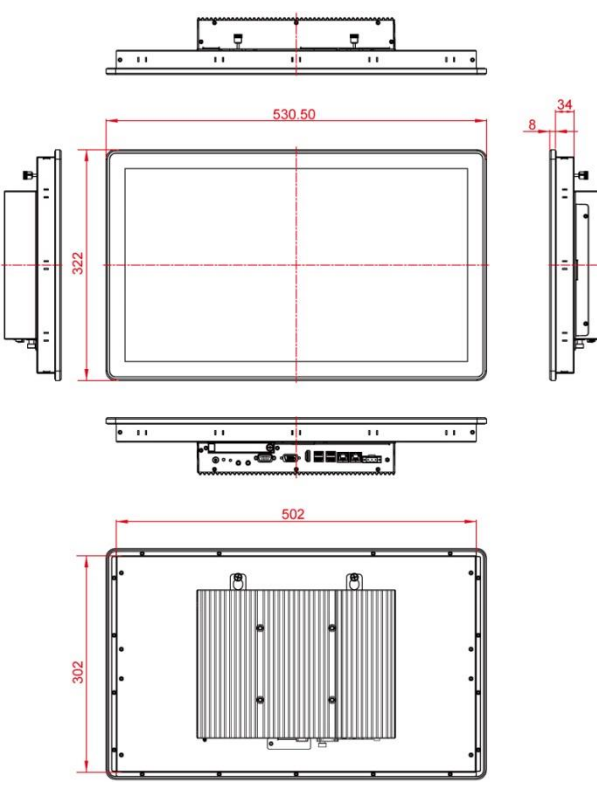
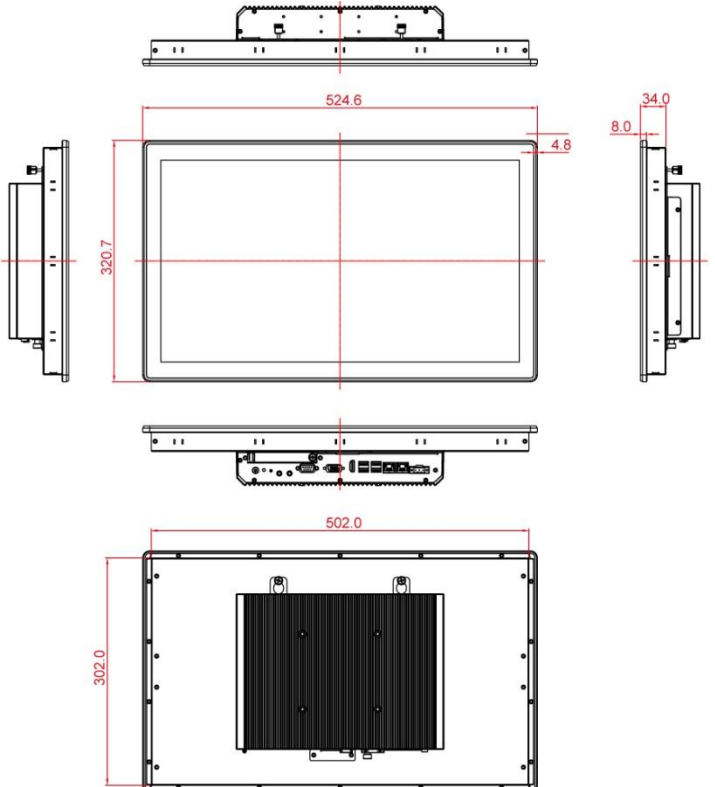
**1.0**

**PCN TOPIC:** 21.5 inch M-Series Display mechanical design change.

**INTRODUCTION:** Winmate changes mechanical design of the 21.5 inch M-Series Display.

**DETAILS:** To improve the quality of our products, Winmate changes mechanical design of the 21.5" M-Series Display. New display is 5.9 mm slender and 1.3 mm shorter. Notice that this change affects mechanical dimensions of the unit. Refer to a comparison table below for more details.

**Comparison Table:**

Original Display	New Display
<p>Unit dimensions: 530.5 x 322 x 34 mm Cutout dimensions: 504 x 304 mm</p> 	<p>Unit dimensions: 524.6 x 320.7 x 34 mm Cutout dimensions: 504 x 304 mm</p> 

**AFFECTED PRODUCTS:**

M-Series HMI	M-Series Display
W22IBWS-MHA3	W22L1WS-MHA3
W22IHWS-MHA3	W22L1WS-MHA3HB

**RELEASE DATE:** January 19, 2017 Will be effective from January 19, 2017

**ISSUED BY:** Raven Hsu

APPROVE:  MD:

EE:

TE:

PE: