

Product Change Notification

Document No **PCN-A-1050613** Revision **1.0** Notification Date **June 13, 2016**

PCN TOPIC:

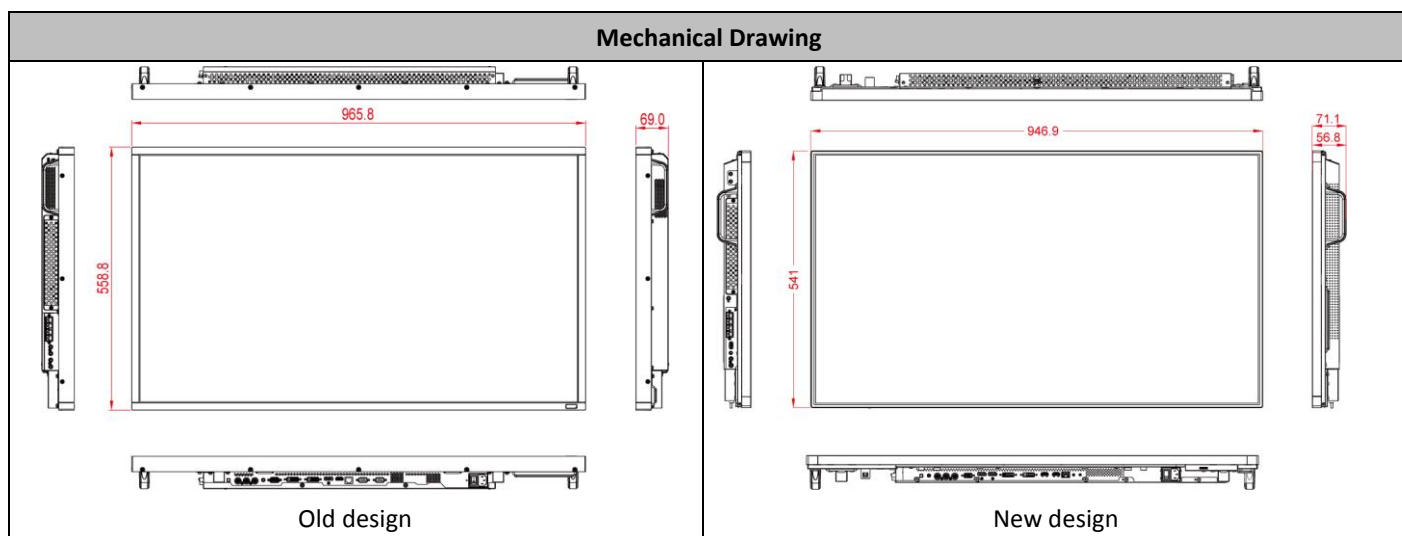
Changes in brightness, contrast ratio and mechanical dimensions of W42L100-OML2 product series.

INTRODUCTION:

This is the notification for customers that for 42" Display (W42L100-OML2 series) product changes will be implemented. Changes affect screen brightness, contrast ratio, and mechanical dimensions.

DETAILS:

	Old Design	New Design
Model Name	W42L100-OML2	W42L100-OML2
Aspect ratio	16:9	16:9
Brightness	450 nits	500 nits
Contrast Ratio	4000:1	1300:1
View Angle	89~89:89~89	89~89:89~89
Resolution	1920x1080	1920x1080
Color Depth	16.7M	16.7M
Dimensions	965.8 x 558.8 x 69.0 mm	946.9 x 541.0 x 56.8 mm (w/o handle) 946.9 x 541.0 x 71.1 mm (w/ handle)



AFFECTED PRODUCT LIST:

Product Type	Model Name
Chassis LCD	W42L100-OML2
Digital Signage	W42L100-OML2/OMFA W42L100-OML2/OMIS W42L100-OML2/OMIW
Other	W42LX00-XXXX

Will be effective from June 13, 2016

ISSUED BY: Austin Chang

APPROVE: *[Signature]* MD:

EE:

TE:

PE: